



Cam switches

CA
series

Rear mounting

2-screw fixing: 28mm (1.10") Vertical



PL1



PL2

ON-OFF switch 1 pole

0001	Circuit diagram	Size	I _e	Part no.	Pack	Part no.	Pack
				CA0120001PL1	1	CA0120001PL2	1
		S1	12A	CA0120001PL1	1	CA0120001PL2	1
			16A		CA0160001PL2	1	
			20A		CA0200001PL2	1	
			25A		CA0260001PL2	1	
		S2	25A		CA0250001PL2	1	
			32A				
			40A				
			50A				

ON-OFF switch 2 pole

0002	Circuit diagram	Size	I _e	Part no.	Pack	Part no.	Pack
				CA0120002PL1	1	CA0120002PL2	1
		S1	12A	CA0120002PL1	1	CA0120002PL2	1
			16A	CA0160002PL1	1	CA0160002PL2	1
			20A	CA0200002PL1	1	CA0200002PL2	1
			25A		CA0260002PL2	1	
		S2	25A		CA0250002PL2	1	
			32A		CA0320002PL2	1	
			40A		CA0400002PL2	1	
			50A		CA0510002PL2	1	

ON-OFF switch 3 pole

0003	Circuit diagram	Size	I _e	Part no.	Pack	Part no.	Pack
				CA0120003PL1	1	CA0120003PL2	1
		S1	12A	CA0120003PL1	1	CA0120003PL2	1
			16A	CA0160003PL1	1	CA0160003PL2	1
			20A	CA0200003PL1	1	CA0200003PL2	1
			25A		CA0260003PL2	1	
		S2	25A	CA0250003PL1	1	CA0250003PL2	1
			32A		CA0320003PL2	1	
			40A		CA0400003PL2	1	
			50A		CA0510003PL2	1	

ON-OFF switch 4 pole

0004	Circuit diagram	Size	I _e	Part no.	Pack	Part no.	Pack
				CA0120004PL1	1	CA0120004PL2	1
		S1	12A	CA0120004PL1	1	CA0120004PL2	1
			16A	CA0160004PL1	1	CA0160004PL2	1
			20A		CA0200004PL2	1	
			25A		CA0260004PL2	1	
		S2	25A		CA0250004PL2	1	
			32A		CA0320004PL2	1	
			40A		CA0400004PL2	1	
			50A		CA0510004PL2	1	

standard article

Rear mounting

2-screw fixing: 28mm (1.10") Vertical

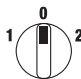


PL1

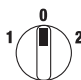


PL2

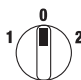
Change-over switch 1 pole

 0005	Circuit diagram	Size	I _e	Part no.	Pack	Part no.	Pack
				S1	12A	CA0120005PL1	1
			16A			CA0160005PL2	1
			20A			CA0200005PL2	1
			25A			CA0260005PL2	1
		S2	25A			CA0250005PL2	1
			32A				
			40A				
			50A				

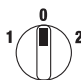
Change-over switch 2 pole

 0006	Circuit diagram	Size	I _e	Part no.	Pack	Part no.	Pack
				S1	12A	CA0120006PL1	1
			16A	CA0160006PL1	1	CA0160006PL2	1
			20A	CA0200006PL1	1	CA0200006PL2	1
			25A			CA0260006PL2	1
		S2	25A			CA0250006PL2	1
			32A			CA0320006PL2	1
			40A			CA0400006PL2	1
			50A			CA0510006PL2	1

Change-over switch 3 pole

 0007	Circuit diagram	Size	I _e	Part no.	Pack	Part no.	Pack
				S1	12A	CA0120007PL1	1
			16A	CA0160007PL1	1	CA0160007PL2	1
			20A			CA0200007PL2	1
			25A			CA0260007PL2	1
		S2	25A			CA0250007PL2	1
			32A			CA0320007PL2	1
			40A			CA0400007PL2	1
			50A			CA0510007PL2	1

Change-over switch 4 pole

 0039	Circuit diagram	Size	I _e	Part no.	Pack	Part no.	Pack
				S1	12A	CA0120039PL1	1
			16A	CA0160039PL1	1	CA0160039PL2	1
			20A			CA0200039PL2	1
			25A			CA0260039PL2	1
		S2	25A			CA0250039PL2	1
			32A			CA0320039PL2	1
			40A			CA0400039PL2	1
			50A			CA0510039PL2	1

standard article

Rear mounting

2-screw fixing: 28mm (1.10") Vertical



PL1



PL2

Reversing switch 3 pole

 0008	Circuit diagram	Size	I _e	Part no.	Pack	Part no.	Pack
		S1	12A	CA0120008PL1	1	CA0120008PL2	1
			16A	CA0160008PL1	1	CA0160008PL2	1
			20A			CA0200008PL2	1
			25A			CA0260008PL2	1
		S2	25A			CA0250008PL2	1
			32A			CA0320008PL2	1
			40A			CA0400008PL2	1
			50A			CA0510008PL2	1

Reversing switch 3 pole with spring return to "OFF"

 0036	Circuit diagram	Size	I _e	Part no.	Pack	Part no.	Pack
		S1	12A	CA0120036PL1	1	CA0120036PL2	1
			16A			CA0160036PL2	1
			20A			CA0200036PL2	1
			25A				
		S2	25A				
			32A				
			40A				
			50A				

Changing switch Dahlander pole

 0009	Circuit diagram	Size	I _e	Part no.	Pack	Part no.	Pack
		S1	12A	CA0120009PL1	1	CA0120009PL2	1
			16A	CA0160009PL1	1	CA0160009PL2	1
			20A			CA0200009PL2	1
			25A			CA0260009PL2	1
			25A			CA0250009PL2	1
		S2	32A			CA0320009PL2	1
			40A			CA0400009PL2	1
			50A			CA0510009PL2	1

STAR-DELTA Starter

 0010	Circuit diagram	Size	I _e	Part no.	Pack	Part no.	Pack
		S1	12A	CA0120010PL1	1	CA0120010PL2	1
			16A	CA0160010PL1	1	CA0160010PL2	1
			20A			CA0200010PL2	1
			25A			CA0260010PL2	1
			25A			CA0250010PL2	1
		S2	32A			CA0320010PL2	1
			40A			CA0400010PL2	1
			50A			CA0510010PL2	1

standard article

Rear mounting

2-screw fixing: 28mm (1.10") Vertical




PL1




PL2

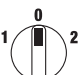
Reversing switch pole changing

 0011	Circuit diagram	Size	I _e	Part no.	Pack	Part no.	Pack
				S1	12A	CA0120011PL1	1
			16A	CA0160011PL1	1	CA0160011PL2	1
			20A			CA0200011PL2	1
			25A			CA0260011PL2	1
		S2	25A			CA0250011PL2	1
			32A				
			40A				
			50A				

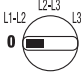
Switch single phase motor + aux phase

 0031	Circuit diagram	Size	I _e	Part no.	Pack	Part no.	Pack
				S1	12A	CA0120031PL1	1
			16A			CA0160031PL2	1
			20A			CA0200031PL2	1
			25A			CA0260031PL2	1
		S2	25A			CA0250031PL2	1
			32A				
			40A				
			50A				

Reversing switch single-phase motor + centrif.

 0034	Circuit diagram	Size	I _e	Part no.	Pack	Part no.	Pack
				S1	12A	CA0120034PL1	1
			16A	CA0160034PL1	1	CA0160034PL2	1
			20A			CA0200034PL2	1
			25A			CA0260034PL2	1
		S2	25A			CA0250034PL2	1
			32A				
			40A				
			50A				

Voltmeter switch 3 concatenated voltages

 0016	Circuit diagram	Size	I _e	Part no.	Pack	Part no.	Pack
				S1	12A	CA0120016PL1	1
			16A			CA0160016PL2	1
			20A				
			25A				
		S2	25A				
			32A				
			40A				
			50A				

standard article

Rear mounting

2-screw fixing: 28mm (1.10") Vertical

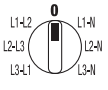


PL1

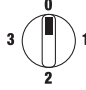


PL2

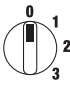
Voltmeter switch 3 concatenated voltages and 3 phase voltages

 0018	Circuit diagram	Size	I _e	Part no.	Pack	Part no.	Pack
				S1	12A	CA0120018PL1	1
			16A			CA0160018PL2	1
			20A				
			25A				
		S2	25A				
			32A				
			40A				
			50A				

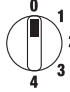
Ammeter switch 1 pole 3 current transformers

 0022	Circuit diagram	Size	I _e	Part no.	Pack	Part no.	Pack
				S1	12A	CA0120022PL1	1
			16A			CA0160022PL2	1
			20A				
			25A				
		S2	25A				
			32A				
			40A				
			50A				

Multi step switch with off 1 pole 3 steps

 MZ13	Circuit diagram	Size	I _e	Part no.	Pack	Part no.	Pack
				S1	12A	CA012MZ13PL1	1
			16A	CA016MZ13PL1	1	CA016MZ13PL2	1
			20A			CA020MZ13PL2	1
			25A				
		S2	25A				
			32A				
			40A				
			50A				

Multi step switch with off 1 pole 4 steps

 MZ14	Circuit diagram	Size	I _e	Part no.	Pack	Part no.	Pack
				S1	12A	CA012MZ14PL1	1
			16A	CA016MZ14PL1	1	CA016MZ14PL2	1
			20A				
			25A				
		S2	25A				
			32A				
			40A				
			50A				

 standard article

Rear mounting

2-screw fixing: 28mm (1.10") Vertical

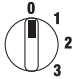
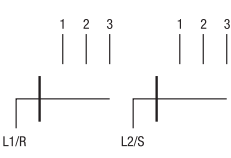


PL1



PL2

Multi step switch with off 2 pole 3 steps

 MZ23	Circuit diagram	Size	I _e	Part no.	Pack	Part no.	Pack
		S1	12A	CS012MZ23PL1	1	CS012MZ23PL2	1
			16A			CS016MZ23PL2	1
			20A				
			25A				
			25A				
		S2	32A				
			40A				
			40A				
			50A				
			50A				

Rear mounting

2-screw fixing: 28mm (1.10") Vertical



RL6



RK6

Base mounting*

2-screw fixing: 28mm (1.10") V. / 32mm (1.26") H.

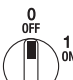



BL6



BK6

ON-OFF switch 3 pole with padlockable handle

 00G3	Circuit diagram	Size	I _e	Part no.	Pack	Part no.	Pack	Part no.	Pack	Part no.	Pack
		S1	12A	CA01200G3RL6	1	CA01200G3RK6	1	CA01200G3BL6	1	CA01200G3BK6	1
			16A	CA01600G3RL6	1	CA01600G3RK6	1	CA01600G3BL6	1	CA01600G3BK6	1
			20A	CA02000G3RL6	1	CA02000G3RK6	1	CA02000G3BL6	1	CA02000G3BK6	1
			25A	CA02600G3RL6	1	CA02600G3RK6	1	CA02600G3BL6	1	CA02600G3BK6	1
			25A	CA02500G3RL6	1	CA02500G3RK6	1	CA02500G3BL6	1	CA02500G3BK6	1
		S2	32A	CA03200G3RL6	1	CA03200G3RK6	1	CA03200G3BL6	1	CA03200G3BK6	1
			40A	CA04000G3RL6	1	CA04000G3RK6	1	CA04000G3BL6	1	CA04000G3BK6	1
			40A	CA04000G3RL6	1	CA04000G3RK6	1	CA04000G3BL6	1	CA04000G3BK6	1
			50A	CA05100G3RL6	1	CA05100G3RK6	1	CA05100G3BL6	1	CA05100G3BK6	1
			50A	CA05100G3RL6	1	CA05100G3RK6	1	CA05100G3BL6	1	CA05100G3BK6	1

* Base mounting switches are supplied with standard 175mm (6.89") shaft

Rear mounting

2-screw fixing: 28mm (1.10") Vertical



RL6



RK6

Base mounting*

2-screw fixing: 28mm (1.10") V. / 32mm (1.26") H.



BL6



BK6

ON-OFF switch 4 pole with padlockable handle

Circuit diagram	Size	I _o	Part no.		Part no.		Part no.		Part no.	
			Part no.	Pack	Part no.	Pack	Part no.	Pack	Part no.	Pack
 	S1	12A	CA01200G4RL6	1	CA01200G4RK6	1	CA01200G4BL6	1	CA01200G4BK6	1
		16A	CA01600G4RL6	1	CA01600G4RK6	1	CA01600G4BL6	1	CA01600G4BK6	1
		20A	CA02000G4RL6	1	CA02000G4RK6	1	CA02000G4BL6	1	CA02000G4BK6	1
		25A	CA02600G4RL6	1	CA02600G4RK6	1	CA02600G4BL6	1	CA02600G4BK6	1
	S2	25A	CA02500G4RL6	1	CA02500G4RK6	1	CA02500G4BL6	1	CA02500G4BK6	1
		32A	CA03200G4RL6	1	CA03200G4RK6	1	CA03200G4BL6	1	CA03200G4BK6	1
		40A	CA04000G4RL6	1	CA04000G4RK6	1	CA04000G4BL6	1	CA04000G4BK6	1
		50A	CA05100G4RL6	1	CA05100G4RK6	1	CA05100G4BL6	1	CA05100G4BK6	1

* Base mounting switches are supplied with standard 175mm (6.89") shaft

Rear mounting



R03

Circuit diagram											
Size	I _o	Part no.	Pack	Part no.	Pack	Part no.	Pack	Part no.	Pack	S	Pack
S1	12A	CA0120002R03	1			CA0120008R03	1	CA0120009R03	1	CA0120011R03	1
	16A	CA0160002R03	1	CA0160003R03	1	CA0160008R03	1	CA0160009R03	1	CA0160011R03	1
	20A	CA0200002R03	1	CA0200003R03	1	CA0200008R03	1	CA0200009R03	1	CA0200011R03	1
	25A	CA0260002R03	1	CA0260003R03	1						
S2	25A	CA0250002R03	1	CA0250003R03	1						
	32A										
	40A										
	50A										

standard article

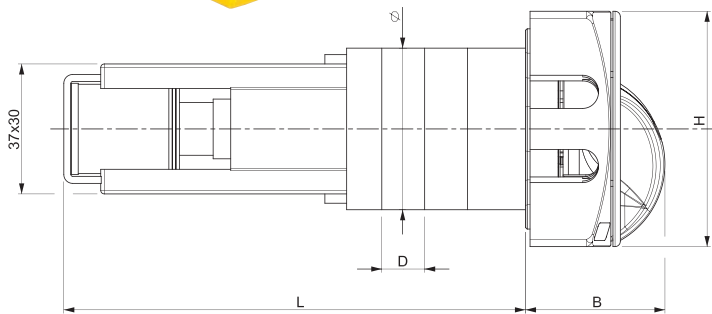
Switches with electromagnet



Device with safety electromagnet. It allows the spring return of the switch to "OFF" position in case of supply failure.

	B	H
PL2	32 (1,26")	75x75 (2,95"x2,95")
RT6	39 (1,53")	67x67 (2,64"x2,64")
RL6	39 (1,53")	67x67 (2,64"x2,64")

dimensions in mm (in)



dimensions in mm (in)

Stages no.	2	
CA 016 D = 12,2 (0,48") ø = 40x46 (1,57"x1,81")	L	126 (4,96")
CA 025 D = 16,2 (0,64") ø = 58 (2,28")	L	140,5 (5,53")



RL6



PL2

Rear mounting

Circuit diagram

0035

Size	I _e	Part no.	Pack	Part no.	Pack	Part no.	Pack	Part no.	Pack
S1	16A	CA0160035E3RL6	1	CA0160035E3PL2	1	CA0160035E4PL2	1	CA0160035E5PL2	1
S2	25A	CA0250035E3RL6	1						
	* rat. voltage	110V		110V		220V		380V	



RT6

Rear mounting

Circuit diagram

0035

Size	I _e	Part no.	Pack	Part no.	Pack	Part no.	Pack
S1	16A	CA0160035E3RT6	1	CA0160035E4RT6	1	CA0160035E5RT6	1
S2	25A	CA0250035E3RT6	1	CA0250035E4RT6	1	CA0250035E5RT6	1
	* rat. voltage	110V		220V		380V	

* Rated voltage

standard article

Protections

PVC protections against dust and dirt are available on request.

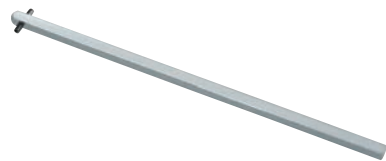


Terminal protection for diagrams 00G3,00G4



Part no.	Description	Pack
PROTLE6747	Terminals protection CA012 ÷ 020 2 stages	5
PROTLE6748	Terminals protection CA025 ÷ 040 2 stages	5

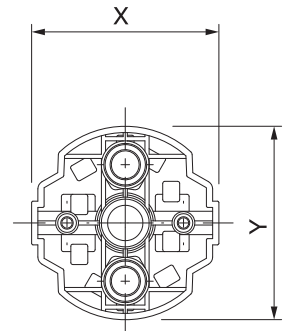
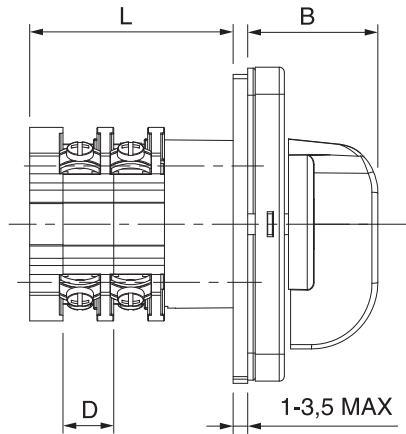
Optional shafts



Part no.	Description	Pack
PALBL300	Shaft L=300mm 05	5
PALBL500	Shaft L=500mm 05	5
PALBL055	Shaft L=55mm 05	R
PALBL075	Shaft L=75mm 05	R
PALBL095	Shaft L=95mm 05	R
PALBL115	Shaft L=115mm 05	R
PALBL135	Shaft L=135mm 05	R
PALBL155	Shaft L=155mm 05	R
PALBL175	Shaft L=175mm 05	5

■ Rear mounting - PL Handle

Measures in mm (in)



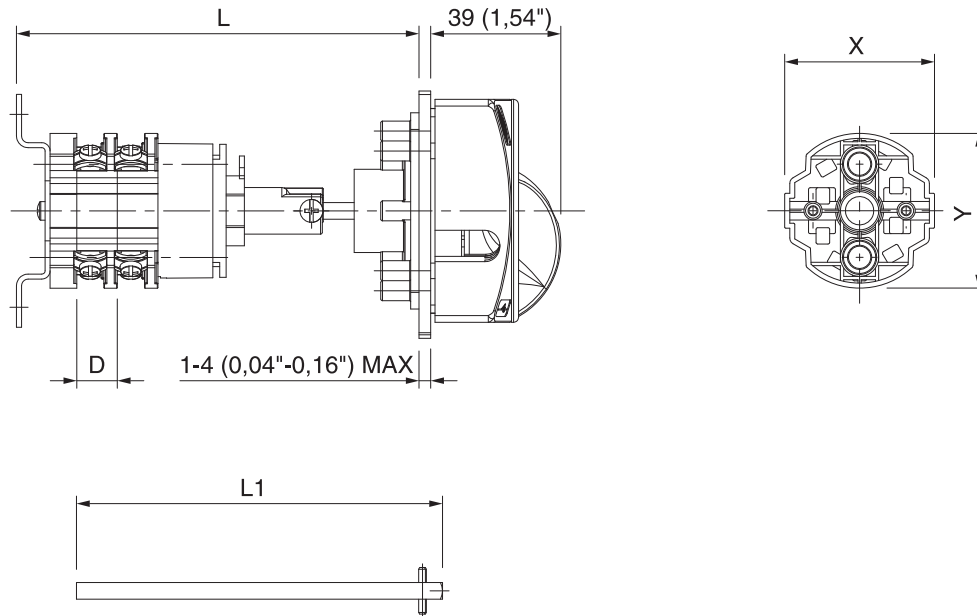
Series	X	Y	D		no. of stages					
					1	2	3	4	5	6
CA 012-016-020-026	45	∅ 46,5	12,2	L	36,7	49	61,1	73,3	85,5	97,7
	(1,77")	∅ (1,83")	(0,48")		(1,44")	(1,93")	(2,41")	(2,89")	(3,37")	(3,85")
Ca 025-032-040-051	-	∅ 58,5	16,2	L	42,8	59	75	91,5	108	124
	-	∅ (2,30")	(0,64")		(1,69")	(2,32")	(2,95")	(3,60")	(4,25")	(4,88")

Handle	B
PL1	30 (1,18")
PL2	32 (1,26")

■ Base mounting - Handles BL6/BK6

(switching angle 90°, padlockable with max 3 padlocks)

Measures in mm (in)



Overall length (min-max)** for different shaft lengths (L1):

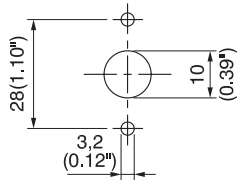
Series	no. of stages			L1	2	
	X	Y	D		Lmin	Lmax
CA 012-016- 020-026	45	∅ 46,5	12,2	175 (6.89")*	114 (4,49")	258 (10,16")
	(1.77")	∅ (1.83")	(0.48")	300 (11.81")	114 (4,49")	383 (15,08")
				500 (19.69")	114 (4,49")	583 (22,95")
Ca 025-032- 040-051	-	∅ 58,5	16,2	175 (6.89")*	117 (4,61")	261 (10,28")
	-	∅ (2.30")	(0.64")	300 (11.81")	117 (4,61")	386 (15,20")
				500 (19.69")	117 (4,61")	586 (23,07")

* Standard shaft, bundled

** Minimum length is obtainable by cutting the shaft

■ Drilling templates - Rear mounting

(RT - RL - RK - PL1 - PL2) - Measures in mm (in)



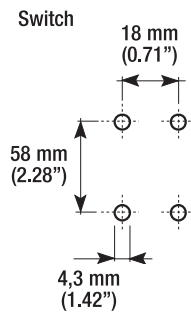
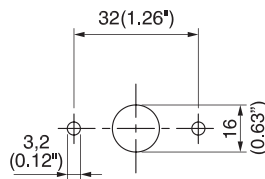
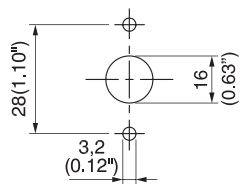
■ Drilling templates - Base mounting

(BL6 - BK6) - Measures in mm (in)

Escutcheon plate mounting options:

1) 2 holes with vertical distance 28mm (1.10")

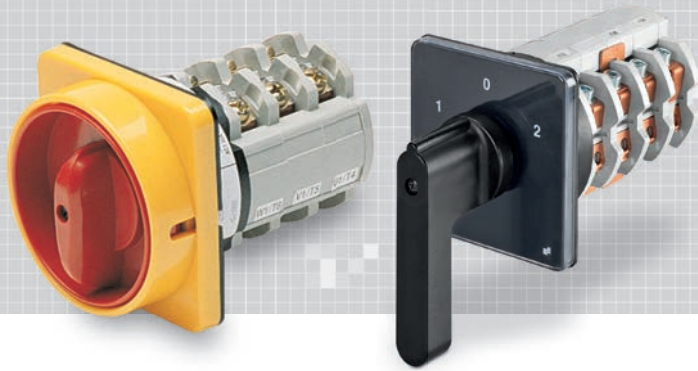
2) 2 holes with horizontal distance 32mm (1.26")



Switch mounting options:

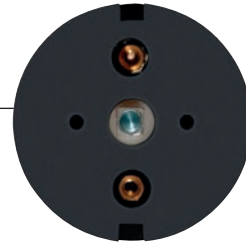
1) 4 holes with distance 58x18mm (2.28x0.71")

Cam switches CA 050...630 series

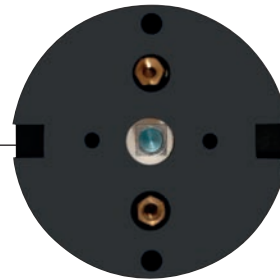


Latching
mechanism
CA 050...630

■ **CA 050**
Round Ø 74 mm (2.91")




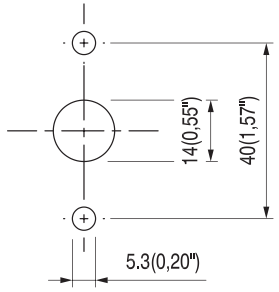

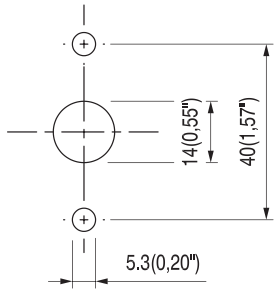

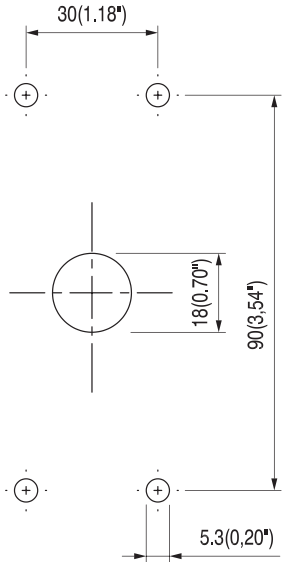
■ **CA 063**
Round Ø 84 mm (3.31")



■ **CA 100-200-400-630**
Round Ø 110 mm (4.33")



**Latching mechanism
CA 050...630**

Type	Dimensions	Product	Holes	Drilling template
Round	Ø 74mm (2.91")		2 holes, 40mm (1.57") verticals	
	Ø 84mm (3.31")		2 holes, 40mm (1.57") verticals	
	Ø 110mm (4.33")		4 holes, 30x90mm (1.18"x3.54")	

CA 50-630A

Standard plates and knobs



Rear mount with screw fixing



Base mount with screw fixing



PL3 ⁽¹⁾

Transparent plate 105x105mm (4.13x4.13"), black knob, IP40



PL4 ⁽²⁾

Transparent plate 130x130mm (5.12x5.12"), black knob, IP40



3L3 ⁽¹⁾

Yellow plate 105x105mm (4.13x4.13"), red padlockable knob (max 3 padlocks), IP40



3L4 ⁽²⁾

Yellow plate 130x130mm (5.12x5.12"), red padlockable knob (max 3 padlocks), IP40



LE3 ⁽³⁾

Yellow plate 105x105mm (4.13x4.13"), red padlockable knob (max 3 padlocks), door interlock in "ON" position, IP54, terminals cover

LE4 ⁽⁴⁾

Yellow plate 130x130mm (5.12x5.12"), red padlockable knob (max 3 padlocks), door interlock in "ON" position, IP54, terminals cover

Optional plates and knobs



Rear mount with screw fixing



Base mount with screw fixing



PL9 ⁽²⁾

Transparent plate 130x130mm (5.12x5.12"), black lever length 115 mm (4.53"), IP40



PL5 ⁽²⁾

Transparent plate 130x130mm (5.12x5.12"), black handwheel, IP40



3N3 ⁽¹⁾

Grey plate 105x105mm (4.13x4.13"), black padlockable knob (max 3 padlocks), IP40



LN3 ⁽³⁾

Grey plate 105x105mm (4.13x4.13"), black padlockable knob (max 3 padlocks), door interlock in "ON" position, IP54, terminals cover

LN4 ⁽⁴⁾

Grey plate 130x130mm (5.12x5.12"), black padlockable knob (max 3 padlocks), door interlock in "ON" position, IP54, terminals cover

Possible fixing options in rear mount depend on the combination of the plate with the rear mount cam-switch body

(1) suitable for 2-screw fixing with 2 holes at 40mm (1.57") vertical distance

(2) suitable for 4-screw fixing with holes at 30 x 90mm (1.18" x 3.54") distance

(3) suitable for 4-screw fixing with □ 65 ÷ 85mm (□ 2.56" ÷ 3.35") holes layout

(4) suitable for 4-screw fixing with □ 94 ÷ 110mm (□ 3.70" ÷ 4.33") holes layout

Rear mounting



PL3



PL4



PL9



PL5

■ ON-OFF switch 2 pole

0002	Circuit diagram	Size	I _e	Part no.	Pack	Part no.	Pack	Part no.	Pack	Part no.	Pack
				S3	50A	CA0500002PL3	1				
S4	63A	CA0630002PL3	1								
S5	100A										
S6	200A										
	400A										
	630A										

■ ON-OFF switch 3 pole

0003	Circuit diagram	Taglia	I _e	Part no.	Pack	Part no.	Pack	Part no.	Pack	Part no.	Pack
				S3	50A	CA0500003PL3	1				
S4	63A	CA0630003PL3	1								
S5	100A					CA1000003PL4	1	CA1000003PL9	1		
S6	200A					CA2000003PL4	1	CA2000003PL9	1		
	400A					CA4000003PL4	1	CA4000003PL9	1		
	630A									CA6300003PL5	1

■ ON-OFF switch 4 pole

0004	Circuit diagram	Taglia	I _e	Part no.	Pack	Part no.	Pack	Part no.	Pack	Part no.	Pack
				S3	50A	CA0500004PL3	1				
S4	63A	CA0630004PL3	1								
S5	100A					CA1000004PL4	1	CA1000004PL9	1		
S6	200A					CA2000004PL4	1	CA2000004PL9	1		
	400A										
	630A										

standard article

Rear mounting



PL3



PL4



PL9



PL5

Change-over switch 2 pole

 0006	Circuit diagram	Size	I _e	Part no.	Pack	Part no.	Pack	Part no.	Pack	Part no.	Pack
				CA0500006PL3	1	CA1000006PL4	1	CA1000006PL9	1	CA4000006PL5	1
 R/L1 S/L2	S3	50A	CA0500006PL3	1							
	S4	63A	CA0630006PL3	1							
	S5	100A			CA1000006PL4	1	CA1000006PL9	1			
		200A			CA2000006PL4	1	CA2000006PL9	1			
		400A					CA4000006PL9	1	CA4000006PL5	1	
S6	630A				CA6300006PL9	1	CA6300006PL5	1			

Change-over switch 3 pole

 0007	Circuit diagram	Size	I _e	Part no.	Pack	Part no.	Pack	Part no.	Pack	Part no.	Pack
				CA0500007PL3	1	CA1000007PL4	1	CA1000007PL9	1	CA4000007PL5	1
 R/L1 S/L2 T/L3	S3	50A	CA0500007PL3	1							
	S4	63A	CA0630007PL3	1							
	S5	100A			CA1000007PL4	1	CA1000007PL9	1			
		200A			CA2000007PL4	1	CA2000007PL9	1			
		400A					CA4000007PL9	1	CA4000007PL5	1	
S6	630A						CA6300007PL5	1			

Change-over switch 4 pole

 0039	Circuit diagram	Size	I _e	Part no.	Pack	Part no.	Pack	Part no.	Pack	Part no.	Pack
				CA0500039PL3	1	CA1000039PL4	1	CA1000039PL9	1	CA4000039PL5	1
 R/L1 S/L2 T/L3 N/O	S3	50A	CA0500039PL3	1							
	S4	63A	CA0630039PL3	1							
	S5	100A			CA1000039PL4	1	CA1000039PL9	1			
		200A			CA2000039PL4	1	CA2000039PL9	1			
		400A							CA4000039PL5	1	
S6	630A								CA6300039PL5	1	

Rear mounting



PL3



PL4



PL9



PL5

Reversing switch 3 pole

<p>0008</p>		Size	I_e	Part no.	Pack	Part no.	Pack	Part no.	Pack	Part no.	Pack	
		S3	50A	CA0500008PL3	1							
		S4	63A	CA0630008PL3	1							
		S5	100A			CA1000008PL4	1	CA1000008PL9	1			
			200A			CA2000008PL4	1	CA2000008PL9	1			
			400A					CA4000008PL9	1	CA4000008PL5	1	
S6	630A							CA6300008PL5	1			

Changing switch Dahlander pole

<p>0009</p>		Size	I_e	Part no.	Pack	Part no.	Pack	Part no.	Pack	Part no.	Pack	
		S3	50A	CA0500009PL3	1							
		S4	63A	CA0630009PL3	1							
		S5	100A									
		S6	200A									
			400A									
S6	630A											

STAR-DELTA Starter

<p>0010</p>		Size	I_e	Part no.	Pack	Part no.	Pack	Part no.	Pack	Part no.	Pack	
		S3	50A	CA0500010PL3	1							
		S4	63A	CA0630010PL3	1							
		S5	100A			CA1000010PL4	1	CA1000010PL9	1			
			200A			CA2000010PL4	1	CA2000010PL9	1			
		S6	400A									
630A												

standard article

Rear mounting



3L3



3N3



3L4

ON-OFF switch 3 pole with padlockable handle

 00G3	Circuit diagram	Size	I_e	Part no.	Pack	Part no.	Pack	Part no.	Pack
			S3	50A	CA05000G33L3	1	CA05000G33N3	1	
		S4	63A	CA06300G33L3	1	CA06300G33N3	1		
		S5	100A					CA10000G33L4	1
		S6	200A					CA20000G33L4	1

ON-OFF switch 4 pole with padlockable handle

 00G4	Circuit diagram	Size	I_e	Part no.	Pack	Part no.	Pack	Part no.	Pack
			S3	50A	CA05000G43L3	1	CA05000G43N3	1	
		S4	63A	CA06300G43L3	1				
		S5	100A					CA10000G43L4	1
		S6	200A					CA20000G43L4	1

Base mounting



LE3



LN3



LE4

ON-OFF switch 3 pole with padlockable handle




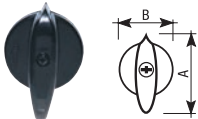
 00G3	Circuit diagram	Size	I_e	Part no.	Pack	Part no.	Pack	Part no.	Pack
			S3	50A	CA05000G3LE3	1	CA05000G3LN3	1	
		S4	63A	CA06300G3LE3	1	CA06300G3LN3	1		
		S5	100A					CA10000G3LE4	1
		S6	200A					CA20000G3LE4	1

ON-OFF switch 4 pole with padlockable handle


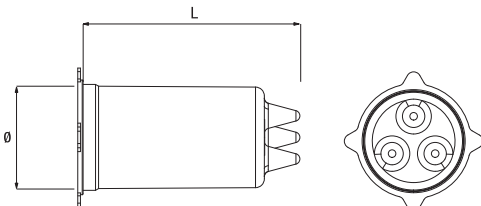
 00G4	Circuit diagram	Size	I_e	Part no.	Pack	Part no.	Pack	Part no.	Pack
			S3	50A	CA05000G4LE3	1	CA05000G4LN3	1	
		S4	63A	CA06300G4LE3	1	CA06300G4LN3	1		
		S5	100A					CA10000G4LE4	1
		S6	200A					CA20000G4LE4	1

standard article


Plates and knobs

	Part no.	Description	Legend included		Pack
			Type	Degrees	
	FINPL3Q7	Rear mounting with screws, transparent plate 105x105mm (4.13x4.13"), black knob, IP40	0 - 1 1 - 0 - 2	60° 60°	5
	FINPL4Q10	Rear mounting with screws, transparent plate 105x105mm (5.12x5.12"), black knob, IP40	0 - 1 1 - 0 - 2	60° 60°	5
	FIN3L3Q7	Rear mounting with screws, yellow plate 105x105mm (4.13x4.13"), red padlockable knob (max 3 padlocks), IP40	0 - 1	90°	5
	M9G034N5	black knob square section 10mm (0.39") 105x75 (4.13x2.95")	-	-	5


Flexible PVC protections IP40

	Part no.	Description	Dimensions in mm (in)		Pack
			L	Ø	
	PROT2271003	CA050 up to 5 stages CA063 up to 4 stages	155 (6.10)	84 (3.31)	2
					

Terminal covers for diagrams 00G3,00G4

	Part no.	Description	Pack
	PROTLEG3229001	terminals cover CA050	2
	PROTLEG3229002	terminals cover CA063	2
	PROTLEG3942	terminals cover CA100-200	2

Shaft extensions with coupling

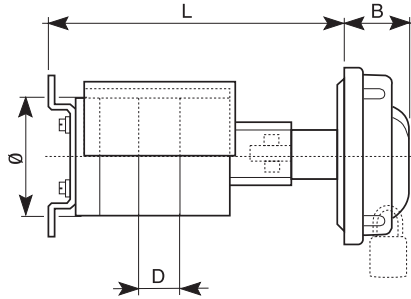
	Part no.	Description	Pack
	PALBL185	CA050-063, L.185mm (7.28"), □ 7mm (0.28")	10
	PALBL180Q10	CA100-063, L.185mm (7.28"), □ 10mm (0.39")	10

 standard article

■ Base mounting - Handles LE/LN

(switching angle 90°, padlockable with max 3 padlocks)

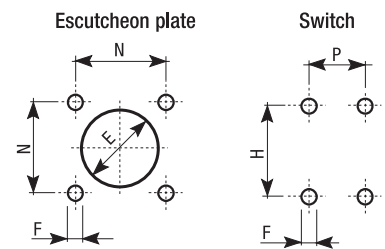
Measures in mm (in)



	B	
	(mm)	(in)
LE3-LN3	44	1.73
LE4-LN4	62	2.44

Stages no	2	
CA 050		
D = 18	L (mm)	135 - 139
0.71	L (in)	5.31 - 5.47
Ø = 74		
2.91		
CA 063		
D = 25	L (mm)	151 - 155
0.98	L (in)	5.94 - 6.10
Ø = 84		
3.31		

Stages no	2	
CA 100		
D = 30	L (mm)	182 - 186
1.18	L (in)	7.16 - 7.32
Ø = 110		
4.33		
CA 200		
D = 39	L (mm)	200 - 204
1.54	L (in)	7.87 - 8.03
Ø = 110		
4.33		

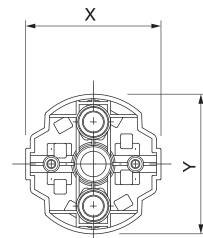
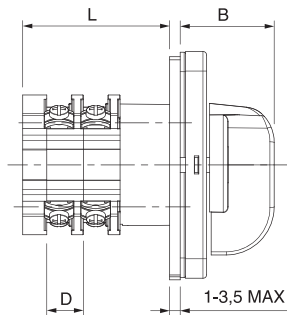


Dimensions

handle	N	E	F	H	P
LE3/LN3	65÷85	40	5,3	84	26
	2.56÷3.35	1.57	0.21	3.30	1.02
LE4/LN4	94÷110	50	5,3	94÷110	94÷110
	3.70÷4.33	1.97	0.21	3.70÷4.33	3.70÷4.33

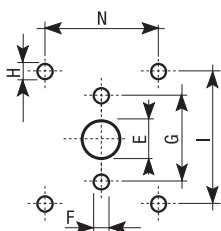
■ Rear mounting - Handles PL 3L/3N

Measures in mm (in)



Series	X	Y	D	L	no. of stages					
					1	2	3	4	5	6
CA 050	-	Ø 74	18	L	52,5	70,5	88,5	106,5	125	142,5
	-	Ø (2,91")	(0,71")		(2,07")	(2,78")	(3,48")	(4,19")	(4,92")	(5,61")
CA 063	-	Ø 84	25	L	60,5	85,5	110,5	135,5	160,5	185,5
	-	Ø (3,31")	(0,98")		(2,38")	(3,37")	(4,35")	(5,33")	(6,32")	(7,30")
CA 100	-	Ø 110	30	L	80,8	110,8	140,8	170,8	200,8	230,8
	-	Ø (4,33")	(1,18")		(3,18")	(4,36")	(5,54")	(6,72")	(7,91")	(9,09")
CA 200	-	Ø 110	39	L	90	129	168	207	246	285
	-	Ø (4,33")	(1,54")		(3,54")	(5,08")	(6,61")	(8,15")	(9,69")	(11,22")

Handle	B
PL3	44 (1,73")
PL4	62 (2,44")
PL5	63 (2,48")
PL9	73 (2,87")
3N3-3L3	44 (1,73")
RL6-RK6	39 (1,54")



Dimensions

cod.	E	F	G	H	I	N
PL3	14	0,55	5,3	0,21	40	1,57
PL4	18	0,71			5,3	0,21
PL5	18	0,71			5,3	0,21
3L3/3N3	14	0,55	5,3	0,21	40	1,57
3L4/3N4	18	0,71			5,3	0,21