

Push Buttons and Signaling Devices

Easy Assembly and Quick Installation

Made in Italy Quality

Innovative Features with a Modern Look

Variable Solutions for Every Market Segment

BP Series

- IP65 protection degree for all actuators
- Ø22 Panel mounting fixing
- LED Signaling devices
- Customized solutions for every needs

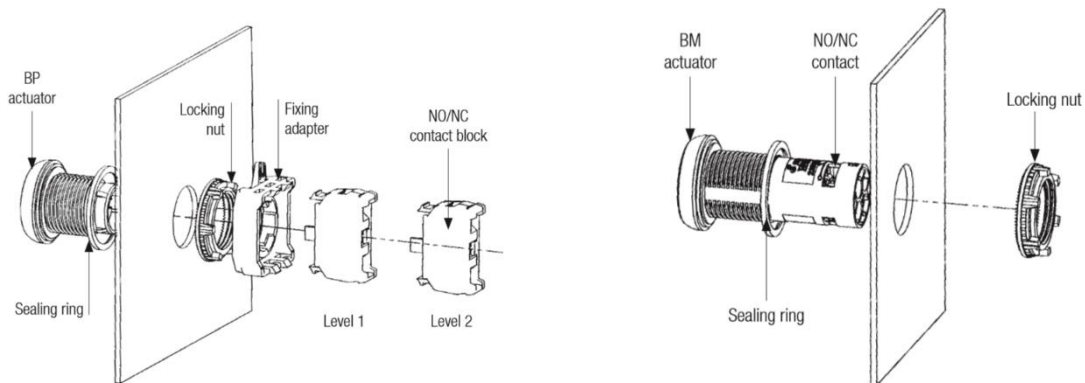


BM Series

- IP65 for all actuators
- Ø22 Panel mounting fixing
- LED Signaling devices
- Customized solutions for every needs



Easy Installation



IEC 60947-5



BREMAS ERSCÉ

Bremas is a leader in the design, manufacturing and marketing of Disconnect Switches, Cam Switches, Position and Safety Switches, Push Buttons, Relay Sockets, and Power Tools Switches.

With over 50 years of experience, Bremas is a specialist in the industrial sector for standard and custom products.

Dealing with the needs of the market, aiming to technological, commercial and service excellence, has always distinguished Bremas as a company of Made in Italy Quality

BREMAS AMERICA

Bremas America is a Georgia USA Corporation dedicated to serving the America Market. Bremas America is focused on Marketing, Promoting and Supplying the Bremas Ersce brand product lines. Being responsive to customers in quality, delivery and professionalism is a primary goal for our company.



BREMAS AMERICA

Contact Information:

Everel America, Inc. 5095 Bristol Industrial Way Buford, GA 30518, U.S.A.
Office: 678-765-8966 Fax: 770-216-1566 Email: sales@everelamerica.com Website: bremasamerica.com