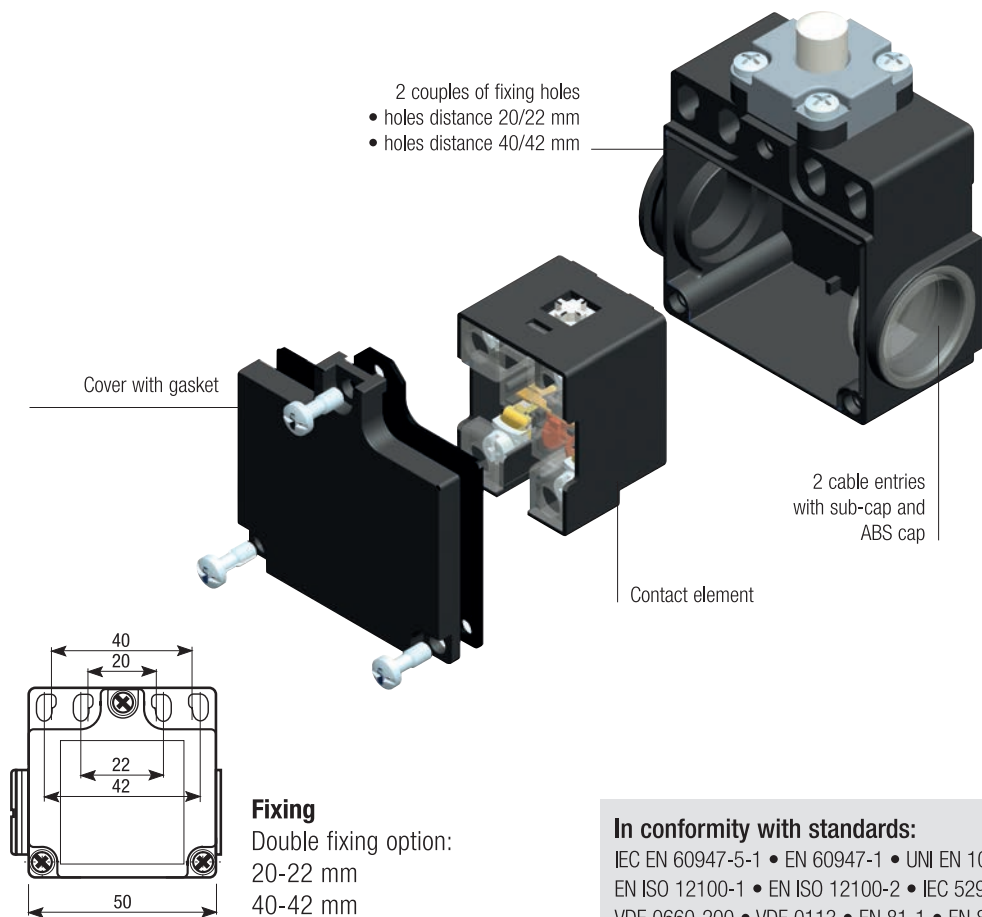


# Limit switches E200 series



## E200 series

The **E200** series is designed for maximum installation flexibility, it has two different fixing templates to maintain compatibility with both E100 series (fixing holes distance 20-22mm) and E300 series (fixing holes distance 40-42 mm). E200 series provides 2 cable entries on both sides of the switch and is available with metal actuators and thermoplastic body.



**Cable entry**  
2 cable entries on the sides of the switch with thread:



### In conformity with standards:

IEC EN 60947-5-1 • EN 60947-1 • UNI EN 1088  
EN ISO 12100-1 • EN ISO 12100-2 • IEC 529 • EN 60529  
VDE 0660-200 • VDE 0113 • EN 81-1 • EN 81-2

### Thread

Pg 13,5  
M20x1,5  
1/2" NPT (on request)  
M12 connector (on request)

### Series part no.

E200...  
E201...  
E202...  
E200...M12

A



Steel plunger

A•S1



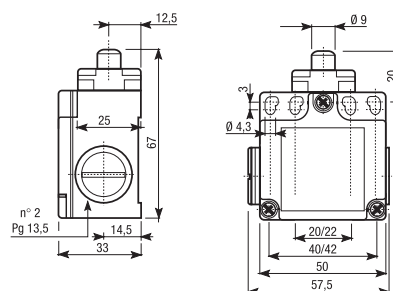
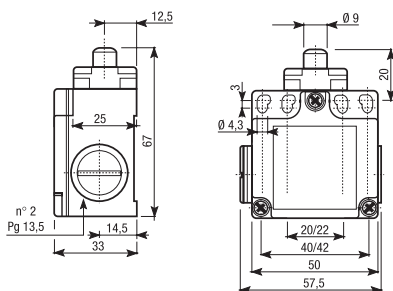
Steel plunger with rubber gasket

Contact element	
1NO+1NC snap action 	<b>00</b>
1NO+1NC slow action 	<b>01</b>
1NO+1NC slow overlap. 	<b>02</b>
2NO slow action 	<b>03</b>
2NC slow action 	<b>04</b>
2NC snap action 	<b>05</b>
<b>Weight</b>	<b>kg</b>
<b>Pack</b>	<b>pcs</b>

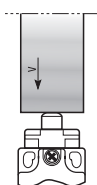
standard article

Cable entry		Contact travel
PG 13,5	M20 x 1,5	
Metal head	Metal head	
Plastic body	Plastic body	
<b>E20000AI</b>	<b>E20100AI</b>	
<b>E20001AI</b>	<b>E20101AI</b>	
<b>E20002AI</b>	<b>E20102AI</b>	
<b>E20003AI</b>	<b>E20103AI</b>	
<b>E20004AI</b>	<b>E20104AI</b>	
<b>E20005AI</b>	<b>E20105AI</b>	
<b>0,11</b>		
<b>1</b>		

Cable entry		Contact travel
PG 13,5	M20 x 1,5	
Metal head	Metal head	
Plastic body	Plastic body	
<b>E20000AIS1</b>	<b>E20100AIS1</b>	
<b>E20001AIS1</b>	<b>E20101AIS1</b>	
<b>E20002AIS1</b>	<b>E20102AIS1</b>	
<b>E20003AIS1</b>	<b>E20103AIS1</b>	
<b>E20004AIS1</b>	<b>E20104AIS1</b>	
<b>E20005AIS1</b>	<b>E20105AIS1</b>	
<b>0,11</b>		
<b>1</b>		



Drive cam operating parameters



V max (m/s)	0,5
Drive forces	
Minimum command force	9 N
Minimum forced opening force	28 N



Steel roller plunger

B



Ø13 mm steel roller plunger

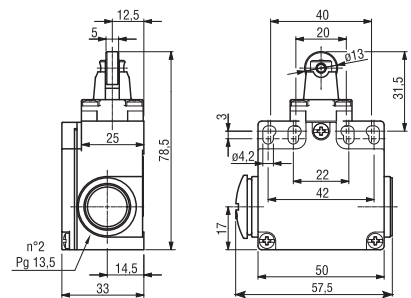
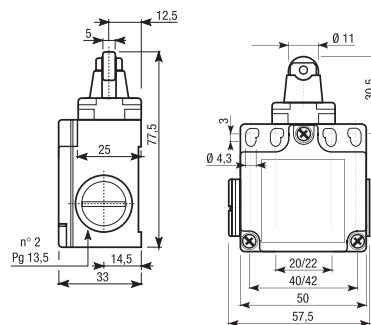
B•13

Contact element		
1NO+1NC snap action 	00	
1NO+1NC slow action 	01	
1NO+1NC slow overlap. 	02	
2NO slow action 	03	
2NC slow action 	04	
2NC snap action 	05	
Weight	kg	0,125
Pack	pcs	1

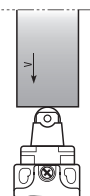
standard article

Cable entry		Contact travel
PG 13,5	M20 x 1,5	
Metal head	Metal head	Contact travel
Plastic body	Plastic body	
<b>E20000BI</b>	<b>E20100BI</b>	
<b>E20001BI</b>	<b>E20101BI</b>	
<b>E20002BI</b>	<b>E20102BI</b>	
<b>E20003BI</b>	<b>E20103BI</b>	
<b>E20004BI</b>	<b>E20104BI</b>	
<b>E20005BI</b>	<b>E20105BI</b>	
0,125		
1		

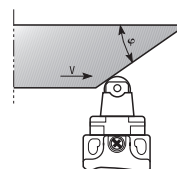
Cable entry		Contact travel
PG 13,5	M20 x 1,5	
Metal head	Metal head	Contact travel
Plastic body	Plastic body	
<b>E20000B13</b>	<b>E20100B13</b>	
<b>E20001B13</b>	<b>E20101B13</b>	
<b>E20002B13</b>	<b>E20102B13</b>	
<b>E20003B13</b>	<b>E20103B13</b>	
<b>E20004B13</b>	<b>E20104B13</b>	
<b>E20005B13</b>	<b>E20105B13</b>	
0,125		
1		



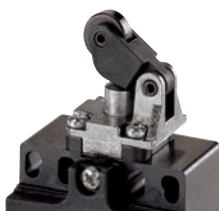
Drive cam operating parameters



V max (m/s)	0,5
Drive forces	
Minimum command force	9 N
Minimum forced opening force	28 N

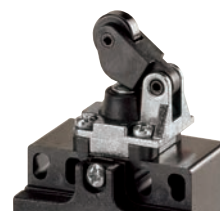


$\varphi$	V max (m/s)
20°	1
30°	0,5
Drive forces	
Minimum command force	9 N
Minimum forced opening force	28 N



Thermoplastic roller lever, side actuation

C



Thermoplastic roller lever with rubber gasket, side actuation

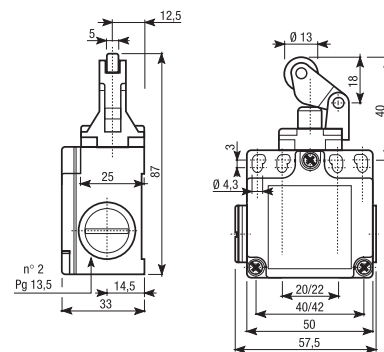
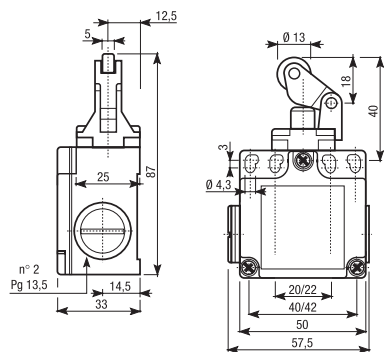
C•S1

Contact element		
1NO+1NC snap action		00
1NO+1NC slow action		01
1NO+1NC slow overlap.		02
2NO slow action		03
2NC slow action		04
2NC snap action		05
Weight	kg	
Pack	pcs	

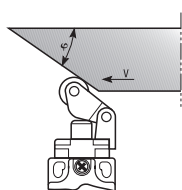
standard article

Cable entry				
PG 13,5	M20 x 1,5			Contact travel
Metal head	Metal head			
Plastic body	Plastic body			
E20000CI	E20100CI			
E20001CI	E20101CI			
E20002CI	E20102CI			
E20003CI	E20103CI			
E20004CI	E20104CI			
E20005CI	E20105CI			
0,13				
1				

Cable entry				
PG 13,5	M20 x 1,5			Contact travel
Metal head	Metal head			
Plastic body	Plastic body			
E20000CIS1	E20100CIS1			
E20001CIS1	E20101CIS1			
E20002CIS1	E20102CIS1			
E20003CIS1	E20103CIS1			
E20004CIS1	E20104CIS1			
E20005CIS1	E20105CIS1			
0,13				
1				

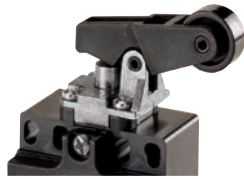


Drive cam operating parameters



$\varphi$	V max (m/s)
20°	1
30°	0,5

Drive forces	
Minimum command force	9 N
Minimum forced opening force	28 N



Thermoplastic roller lever, vertical actuation

D



Thermoplastic roller lever with rubber gasket, vertical actuation

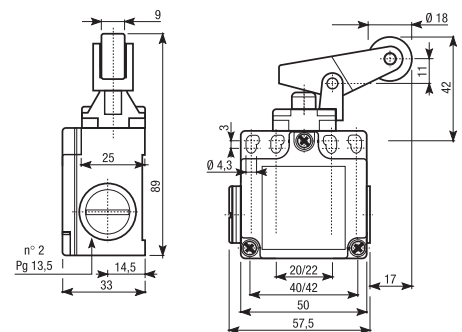
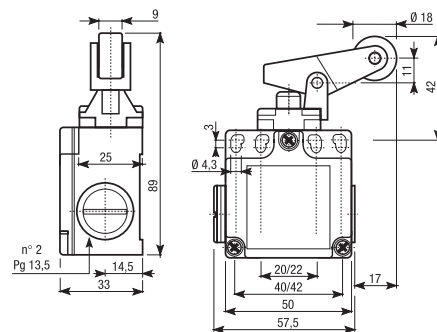
D•S1

Contact element		
1NO+1NC snap action 	00	
1NO+1NC slow action 	01	
1NO+1NC slow overlap. 	02	
2NO slow action 	03	
2NC slow action 	04	
2NC snap action 	05	
Weight	kg	0,13
Pack	pcs	1

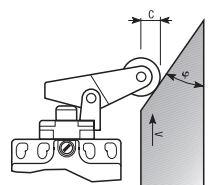
standard article

Cable entry		Contact travel
PG 13,5	M20 x 1,5	
Metal head Plastic body	Metal head Plastic body	
E20000DI	E20100DI	
E20001DI	E20101DI	
E20002DI	E20102DI	
E20003DI	E20103DI	
E20004DI	E20104DI	
E20005DI	E20105DI	
0,13		
1		

Cable entry		Contact travel
PG 13,5	M20 x 1,5	
Metal head Plastic body	Metal head Plastic body	
E20000DIS1	E20100DIS1	
E20001DIS1	E20101DIS1	
E20002DIS1	E20102DIS1	
E20003DIS1	E20103DIS1	
E20004DIS1	E20104DIS1	
E20005DIS1	E20105DIS1	
0,13		
1		



### Drive cam operating parameters



$\varphi$	V max (m/s)
20°	1
30°	0,5
Drive forces	
Minimum command force	9 N
Minimum forced opening force	26 N



Thermoplastic roller lever

E



Steel roller lever

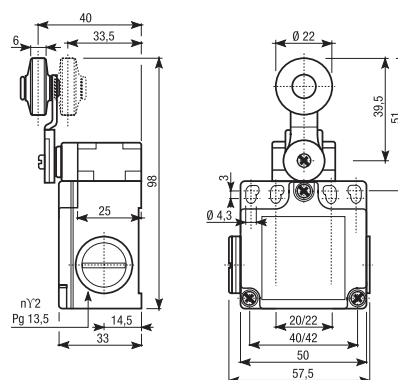
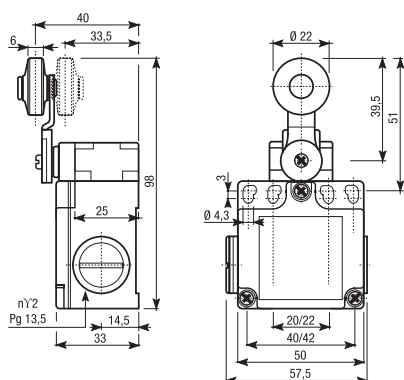
E•RA

Contact element		
1NO+1NC snap action 	00	
1NO+1NC slow action 	01	
1NO+1NC slow overlap. 	02	
2NO slow action 	03	
2NC slow action 	04	
2NC snap action 	05	
Weight	kg	0,16
Pack	pcs	1

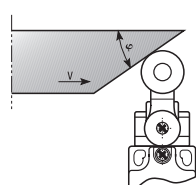
standard article

Cable entry		Contact travel
PG 13,5	M20 x 1,5	
Metal head Plastic body	Metal head Plastic body	
E20000EI	E20100EI	
E20001EI	E20101EI	
E20002EI	E20102EI	
E20003EI	E20103EI	
E20004EI	E20104EI	
E20005EI	E20105EI	
Weight		0,16
Pack		1

Cable entry		Contact travel
PG 13,5	M20 x 1,5	
Metal head Plastic body	Metal head Plastic body	
E20000EIRA	E20100EIRA	
E20001EIRA	E20101EIRA	
E20002EIRA	E20102EIRA	
E20003EIRA	E20103EIRA	
E20004EIRA	E20104EIRA	
E20005EIRA	E20105EIRA	
Weight		0,16
Pack		1

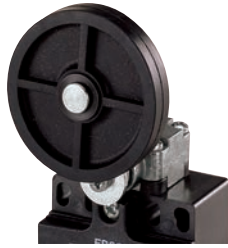


Drive cam operating parameters



$\varphi$	V max (m/s)
30°	1,5
45°	1
60°	0,75
60-90°	0,25

Drive forces	
Minimum command force	15 Ncm
Minimum forced opening force	35 Ncm



Ø50 mm rubber roller lever

E•50



Thermoplastic roller lever

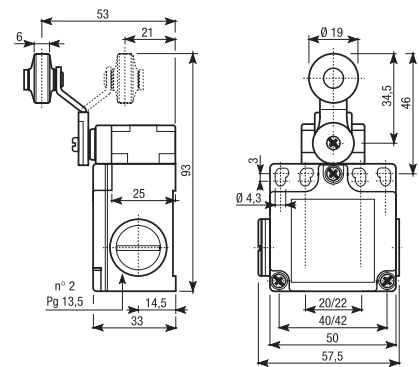
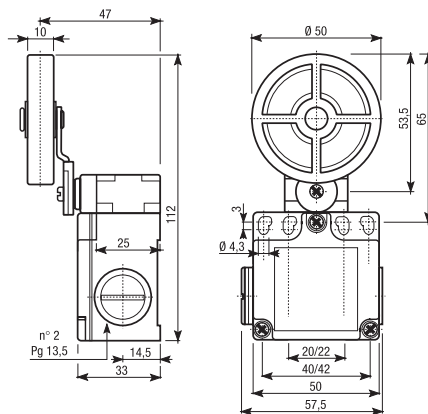
I

Contact element		
1NO+1NC snap action		<b>00</b>
1NO+1NC slow action		<b>01</b>
1NO+1NC slow overlap.		<b>02</b>
2NO slow action		<b>03</b>
2NC slow action		<b>04</b>
2NC snap action		<b>05</b>
<b>Weight</b>	<b>kg</b>	
<b>Pack</b>	<b>pcs</b>	

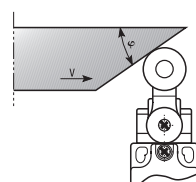
standard article

Cable entry		Contact travel
PG 13,5	M20 x 1,5	
Metal head	Metal head	
Plastic body	Plastic body	
E20000E150	E20100E150	
E20001E150	E20101E150	
E20002E150	E20102E150	
E20003E150	E20103E150	
E20004E150	E20104E150	
E20005E150	E20105E150	
0,175		
1		

Cable entry		Contact travel
PG 13,5	M20 x 1,5	
Metal head	Metal head	
Plastic body	Plastic body	
E20000II	E20100II	
E20001II	E20101II	
E20002II	E20102II	
E20003II	E20103II	
E20004II	E20104II	
E20005II	E20105II	
0,16		
1		

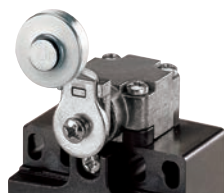


### Drive cam operating parameters



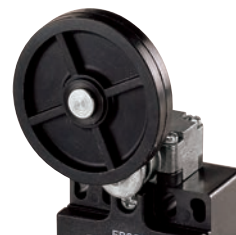
φ	V max (m/s)
30°	1,5
45°	1
60°	0,75
60-90°	0,25

Drive forces	
Minimum command force	15 Ncm
Minimum forced opening force	35 Ncm



I•RA

Steel roller lever



I•50

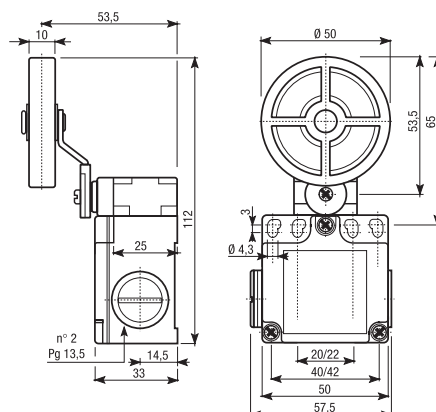
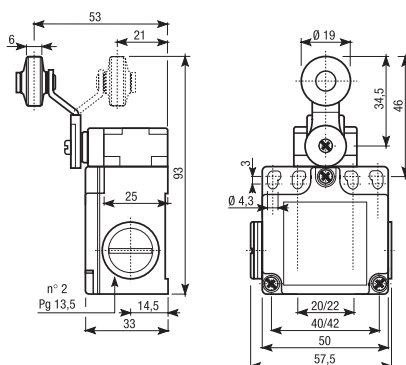
Ø50 mm rubber roller lever

Contact element	
1NO+1NC snap action  13 21 14 22	00
1NO+1NC slow action  13 13 22 14	01
1NO+1NC slow overlap.  25 17 26 18	02
2NO slow action  13 23 14 24	03
2NC slow action  11 21 12 22	04
2NC snap action  11 21 12 22	05
Weight	kg
Pack	pcs

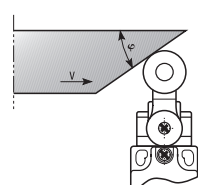
Cable entry		Contact travel
PG 13,5	M20 x 1,5	
Metal head Plastic body	Metal head Plastic body	
E20000IIIRA	E20100IIIRA	
E20001IIIRA	E20101IIIRA	
E20002IIIRA	E20102IIIRA	
E20003IIIRA	E20103IIIRA	
E20004IIIRA	E20104IIIRA	
E20005IIIRA	E20105IIIRA	
0,16		
1		

Cable entry		Contact travel
PG 13,5	M20 x 1,5	
Metal head Plastic body	Metal head Plastic body	
E20000II50	E20100II50	
E20001II50	E20101II50	
E20002II50	E20102II50	
E20003II50	E20103II50	
E20004II50	E20104II50	
E20005II50	E20105II50	
0,17		
1		

standard article



Drive cam operating parameters



$\varphi$	V max (m/s)
30°	1,5
45°	1
60°	0,75
60-90°	0,25

Drive forces	
Minimum command force	15 Ncm
Minimum forced opening force	35 Ncm





Thermoplastic roller variable length lever

F



Ø50 mm rubber roller variable length lever

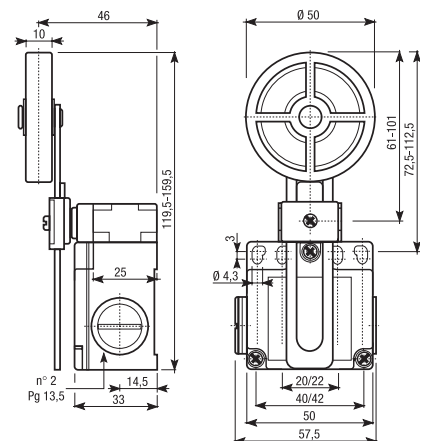
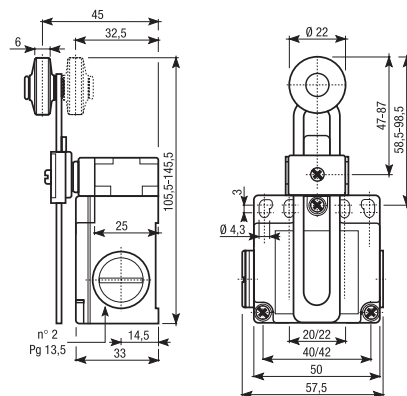
F•50

Contact element		
1NO+1NC snap action 	00	
1NO+1NC slow action 	01	
1NO+1NC slow overlap. 	02	
2NO slow action 	03	
2NC slow action 	04	
2NC snap action 	05	
Weight	kg	
Pack	pcs	

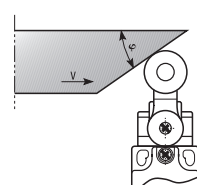
Cable entry		Contact travel
PG 13,5	M20 x 1,5	
Metal head	Metal head	
Plastic body	Plastic body	
E20000FI	E20100FI	
E20001FI	E20101FI	
E20002FI	E20102FI	
E20003FI	E20103FI	
E20004FI	E20104FI	
E20005FI	E20105FI	
0,175		
1		

Cable entry		Contact travel
PG 13,5	M20 x 1,5	
Metal head	Metal head	
Plastic body	Plastic body	
E20000FI50	E20100FI50	
E20001FI50	E20101FI50	
E20002FI50	E20102FI50	
E20003FI50	E20103FI50	
E20004FI50	E20104FI50	
E20005FI50	E20105FI50	
0,195		
1		

standard article



Drive cam operating parameters



φ	V max (m/s)
30°	1,5
45°	1
60°	0,75
60-90°	0,25

Drive forces	
Minimum command force	15 Ncm
Minimum forced opening force	35 Ncm



FR•50

Ø50 mm rubber roller adjustable lever



G

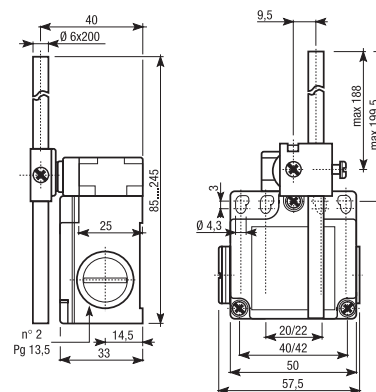
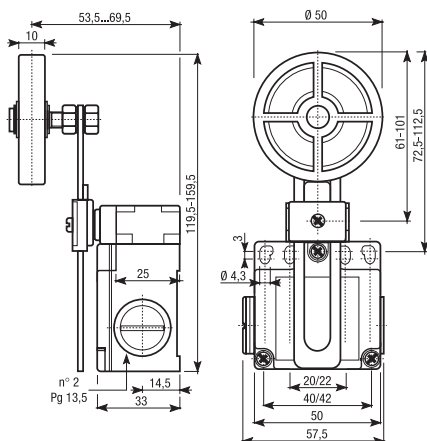
Side rotary adjustable Ø6 mm glass fiber rod

Contact element		
1NO+1NC snap action		00
1NO+1NC slow action		01
1NO+1NC slow overlap.		02
2NO slow action		03
2NC slow action		04
2NC snap action		05
Weight	kg	
Pack	pcs	

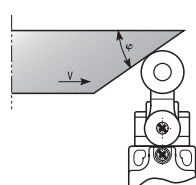
Cable entry		Contact travel
PG 13,5	M20 x 1,5	
Metal head	Metal head	
Plastic body	Plastic body	
E20000FRI50	E20100FRI50	
E20001FRI50	E20101FRI50	
E20002FRI50	E20102FRI50	
E20003FRI50	E20103FRI50	
E20004FRI50	E20104FRI50	
E20005FRI50	E20105FRI50	
0,21		
1		

Cable entry		Contact travel
PG 13,5	M20 x 1,5	
Metal head	Metal head	
Plastic body	Plastic body	
E20000GI	E20100GI	
E20001GI	E20101GI	
E20002GI	E20102GI	
E20003GI	E20103GI	
E20004GI	E20104GI	
E20005GI	E20105GI	
0,19		
1		

standard article



Drive cam operating parameters



φ	V max (m/s)
30°	1,5
45°	1
60°	0,75
60-90°	0,25

Drive forces	
Minimum command force	15 Ncm
Minimum forced opening force	35 Ncm



Side rotary adjustable  
Ø6 mm aluminium rod

H



Flexible rod

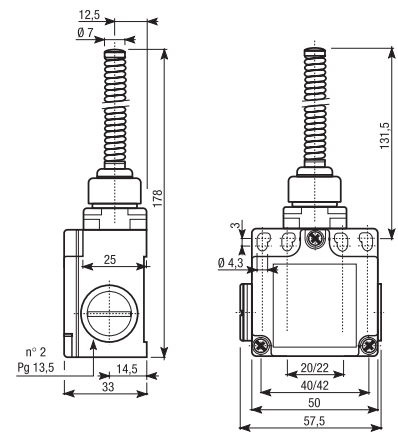
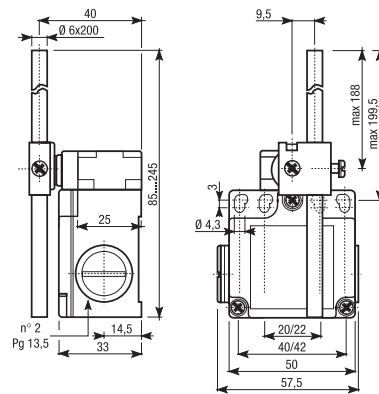
L

Contact element		
1NO+1NC snap action 	<b>00</b>	
1NO+1NC slow action 	<b>01</b>	
1NO+1NC slow overlap. 	<b>02</b>	
2NO slow action action 	<b>03</b>	
2NC slow action action 	<b>04</b>	
2NC snap action 	<b>05</b>	
<b>Weight</b>	<b>kg</b>	
<b>Pack</b>	<b>pcs</b>	

Cable entry		Contact travel
PG 13,5	M20 x 1,5	
Metal head	Metal head	
Plastic body	Plastic body	
<b>E20000HI</b>	<b>E20100HI</b>	
<b>E20001HI</b>	<b>E20101HI</b>	
<b>E20002HI</b>	<b>E20102HI</b>	
<b>E20003HI</b>	<b>E20103HI</b>	
<b>E20004HI</b>	<b>E20104HI</b>	
<b>E20005HI</b>	<b>E20105HI</b>	
<b>Weight</b>		<b>kg</b>
		0,19
<b>Pack</b>		<b>pcs</b>
		1

Cable entry		Contact travel
PG 13,5	M20 x 1,5	
Metal head	Metal head	
Plastic body	Plastic body	
<b>E20000LI</b>	<b>E20100LI</b>	
<b>E20001LI</b>	<b>E20101LI</b>	
<b>E20002LI</b>	<b>E20102LI</b>	
<b>E20003LI</b>	<b>E20103LI</b>	
<b>E20004LI</b>	<b>E20104LI</b>	
<b>E20005LI</b>	<b>E20105LI</b>	
<b>Weight</b>		<b>kg</b>
		0,16
<b>Pack</b>		<b>pcs</b>
		1

standard article





LP

Flexible rod with plastic terminal



LS

Cat's whisker

Contact element		
1NO+1NC snap action 13 21 14 22 Zb		00
1NO+1NC slow action 21 13 22 14 Zb		01
1NO+1NC slow overlap. 25 17 26 18 Zb		02
2NO slow action 13 23 14 24 X+X		03
2NC slow action 11 21 12 22 Y+Y		04
2NC snap action 11 21 12 22 Y+Y		05
Weight	kg	
Pack	pcs	

Cable entry				
PG 13,5	M20 x 1,5			Contact travel
Metal head	Metal head			
Plastic body	Plastic body			
E20000LPI	E20100LPI			
E20001LPI	E20101LPI			
E20002LPI	E20102LPI			
E20003LPI	E20103LPI			
E20004LPI	E20104LPI			
E20005LPI	E20105LPI			
0,16				
1				

Cable entry				
PG 13,5	M20 x 1,5			Contact travel
Metal head	Metal head			
Plastic body	Plastic body			
E20000LSI	E20100LSI			
E20001LSI	E20101LSI			
E20002LSI	E20102LSI			
E20003LSI	E20103LSI			
E20004LSI	E20104LSI			
E20005LSI	E20105LSI			
0,16				
1				

standard article

