










Power tool
switches



International standards and approvals

Country	Canada	Germany	Switzerland	Denmark	Norway	Sweden	Finland	Austria	Great Britain	IEC International Electrical Commission
Authority	CSA International	Verband Deutscher Elektrotechniker	Schweizerischer Elektrotechnischer Verein	Danmarks Elektriske Materielkontrol	Norges Elektriske Materielkontrol	Svenska Elektriske Materielkontroll-anstalten	Sähkötekniikan tutkimuskeskus	Österreichischer Verband für Elektrotechnik	British Standards Institution	IEC International Electrical Commission
Mark of standard	 ⁽¹⁾	VDE 0660 ⁽²⁾							BS EN 60947 ⁽²⁾	IEC 60947 ⁽³⁾
LEA202		+	+	+	+	+	+	+	+	+
LFA203		+	+	+	+	+	+	+	+	+
LLA42	•	+	+	+	+	+	+	+	+	+
LLA43	•	+	+	+	+	+	+	+	+	+
LNA45		+	+	+	+	+	+	+	+	+
LAA65		+	+	+	+	+	+	+	+	+
LAA88		+	+	+	+	+	+	+	+	+

- Approved
- + Conforms to requirements

Notes:

- 1) CSA Approval File 0282121-0-000
- 2) It is not required to bear a symbol but switches must conform to requirements.
- 3) IEC does not operate an approval scheme

			LLA65	LAA88	LEA202R	LLA42	LLA43	LFA203	LNA45
Rated insulation voltage	Ui	V	250	250	380	250	380	380	380
Rated operating voltage	Ue	V	250	250	380	250	380	380	380
Rated operation frequency		Hz	50/60	50/60	50/60	50/60	50/60	50/60	50/60
Rated Current									
Resistive load	In	A	6	8	10 (Ue=250V)	15	15	10 (Ue=250V)	20 (Ue=250V)
Inductive load	In	A	5	8	6 (Ue=250V)	10	10	6 (Ue=250V)	10 (Ue=250V)

Technical data CSA (Sec. CSA 22.2 n.55)

Rated insulation voltage	Ui	V	-	-	-	250	250	-	-
Rated operating voltage	Ue	V	-	-	-	250	250	-	-
Rated thermal current	Ith		-	-	-	15	15	-	-
General Use current (Resistive loads or low inductives)			-	-	15	15	-	-	
Standard motor load	3 phase - 3 poles	Hp	-	-	-	-	2	-	-
	1 phase - 2 poles	Hp	-	-	-	2	-	-	-

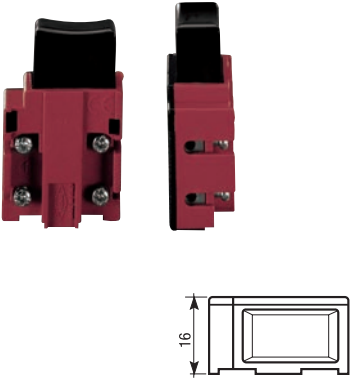
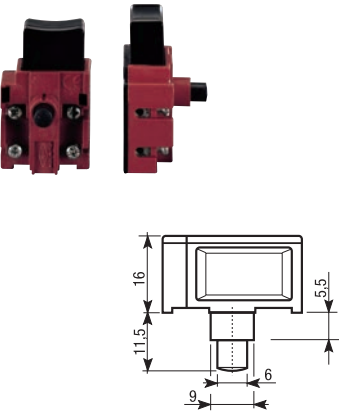
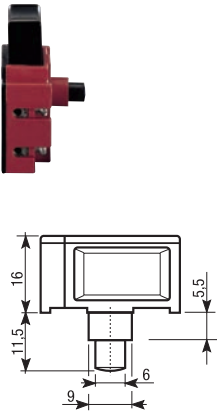
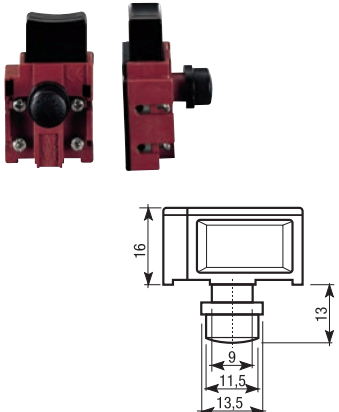
Mechanical characteristics

Mechanical life (120 cycles/hour)			1E5	1E5	1E5	1E5	1E5	1E5	1E5
Electrical life	EN61058		5E4	5E4	5E4	5E4	5E4	5E4	5E4
Insulation class	EN61058		II	II	II	II	II	II	II
Tipo di isolamento	EN61058		Reinforced	Reinforced	Reinforced	Reinforced	Reinforced	Standard	Reinforced
Terminal dimension			2	2	2	2	2	2	4
Connecting capability with flexible wires	Min-Max	mm ²	0,75-2,5	0,75-2,5	0,75-2,5	0,75-2,5	0,75-2,5	0,75-2,5	1,5-4
Connecting capability with solid wires	Min-Max	mm ²	1-2,5	1-2,5	1-2,5	1-2,5	1-2,5	1-2,5	2,5-6
Connecting capability with flexible wires	Min-Max	AWG	19-14	19-14	19-14	19-14	19-14	19-14	16-12
Connecting capability with solid wires	Min-Max	AWG	18-14	18-14	18-14	18-14	18-14	18-14	14-10
Terminal screw		M3	M3	M3,5	M3,5	M3,5	M3,5	M4	
Protection degree IEC 529 EN 60529	IP00		IP00	IP00	IP00	IP00	IP00	IP00	

Ambient conditions

Operational ambient temperature	°C	T55	T55	T55	T55	T55	T55	T55	T55
Storage ambient temperature	°C	-25 ÷ +70			-30 ÷ +70				
Withstand to constant humid		sec. IEC 60068-2-8							
Withstand to cycling humid		sec. IEC 60068-2-30							

LAA65-LAA88 series


Part no.	Description	Pack
 <p>LAA65301</p>	2 pole switch, command button without lock, 4 screw terminals	10
 <p>LAA65311</p>	2 pole switch, command button with lock in ON \emptyset 6mm, 4 screw terminals	10
 <p>LAA88311</p>	2 pole switch, command button with lock in ON \emptyset 6mm, 4 silver screw terminals	10
 <p>LAA65331</p>	2 pole switch, command button with lock in ON \emptyset 11,5mm, 4 screw terminals	10

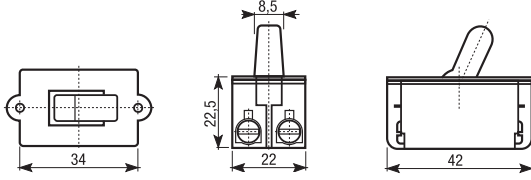
2 poles switches with lever

power tool switches

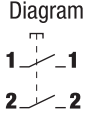
LEA202R series

Part no.	Description	Pack
LEA202R	2 pole switch with stable lever	10



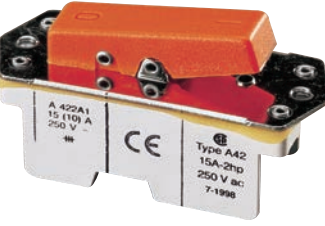


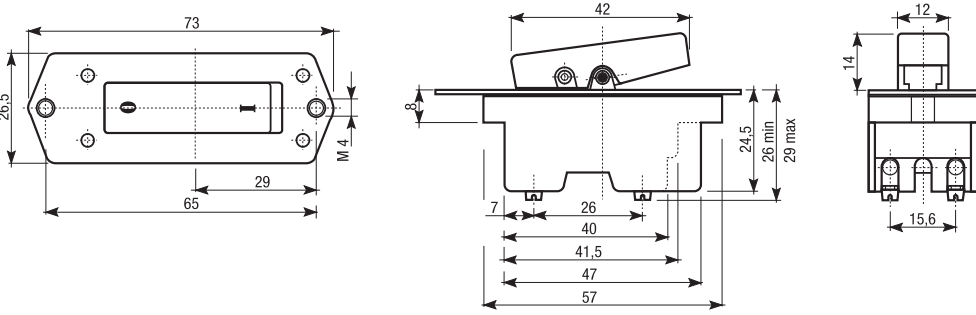
Diagram



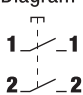
LLA42 series

Part no.	Description	Pack
LLA422N1	2 pole switch with black lever, fixing holes distance 55mm	10
LLA422A1	2 pole switch with orange lever, fixing holes distance 55mm	10
LLA422N3	2 pole switch with black lever, fixing holes distance 65mm	10





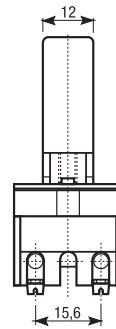
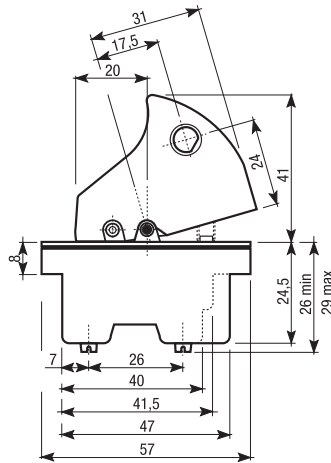
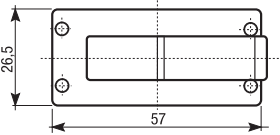
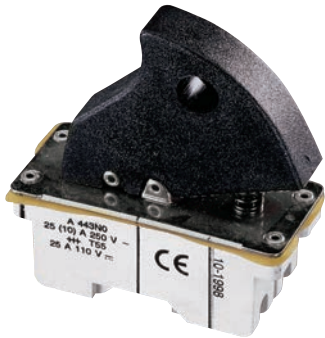
Diagram



standard article

2 poles switches with lever

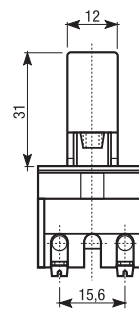
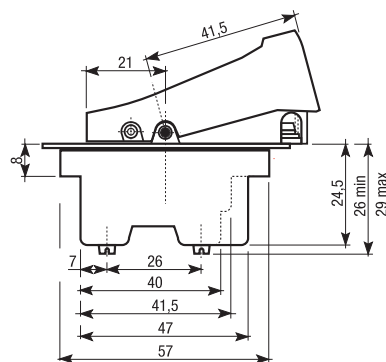
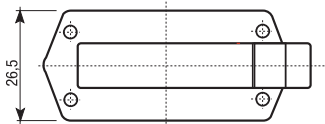
Part no.	Description	Pack
LLA423N0	2 pole switch with black unstable lever, without fixing holes, L=31 mm	10



Diagram



LLA424N0	2 pole switch with black unstable lever, without fixing holes, L=41,5 mm	10
LLA424N0A	2 pole switch with special lever	10



Diagram

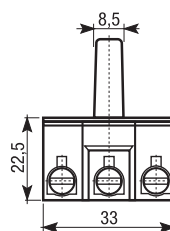
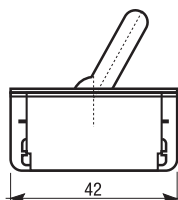
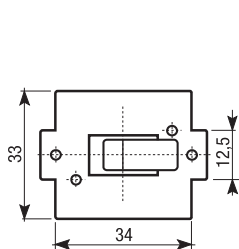


3 pole switches with lever

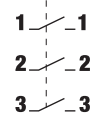
power tool switches

LFA203 series

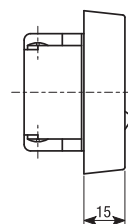
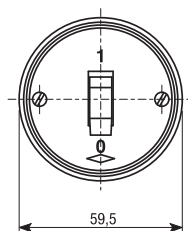
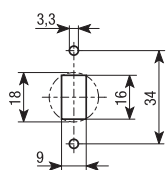
Part no.	Description	Pack
LFA203R	3 pole switch with stable lever	10



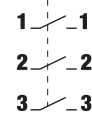
Diagram



LFA203RPT	3 pole switch with guarded round grey plate, rear mounting	5
-----------	--	---



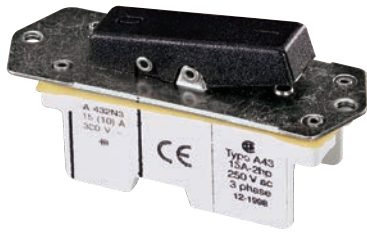
Diagram



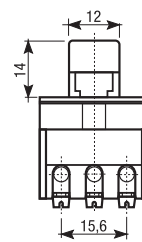
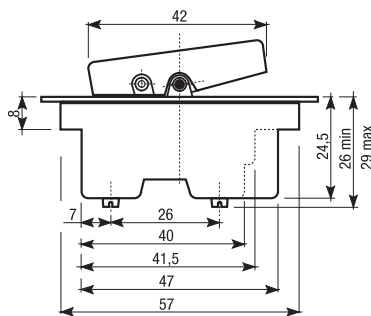
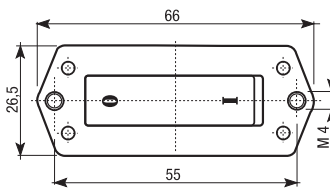
standard article

LLA43 series

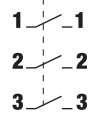
Part no.	Description	Pack
----------	-------------	------



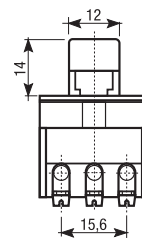
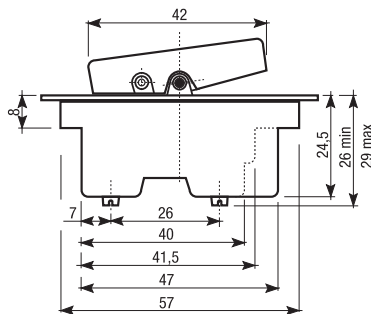
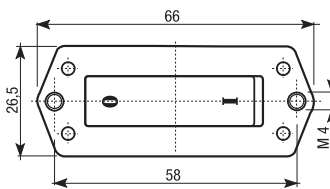
LLA432N1	3 pole switch with black stable lever, fixing holes distance 55mm, L=26,5 mm	10
----------	--	----



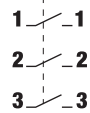
Diagram



LLA432N2	3 pole switch with black stable lever, fixing holes distance 58mm, L=26,5 mm	10
----------	--	----



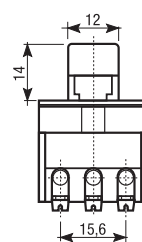
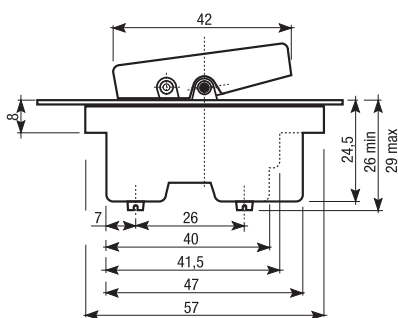
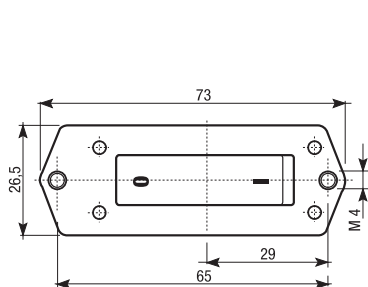
Diagram



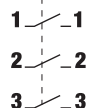
■ LLA43 series

Part no.	Description	Pack
----------	-------------	------

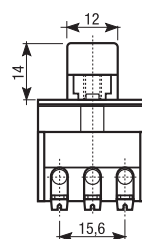
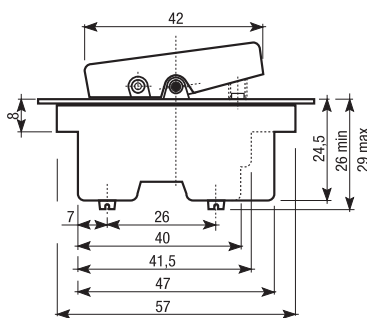
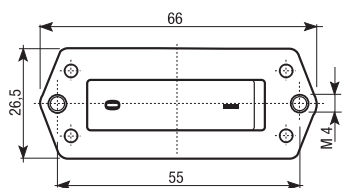
LLA432N3	3 pole switch with black stable lever, fixing holes distance 65mm	10
----------	---	----



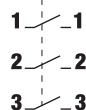
Diagram



LLA438N1	3 pole switch with black unstable lever, fixing holes distance 55mm	10
----------	---	----

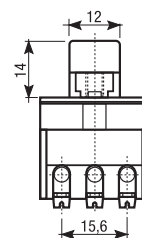
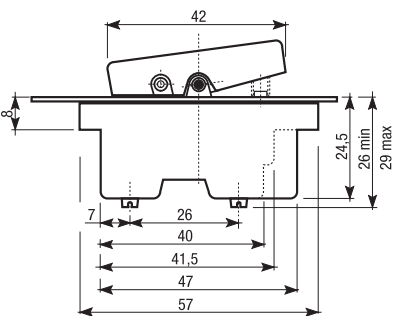
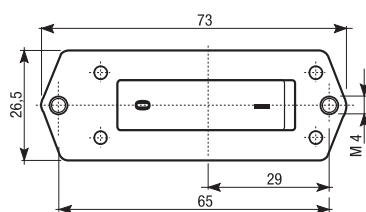


Diagram

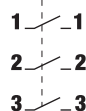


LLA438N3	3 pole switch with black unstable lever, fixing holes distance 65mm	10
----------	---	----

LLA438A3	3 pole switch with orange unstable lever, fixing holes distance 65mm	10
----------	--	----

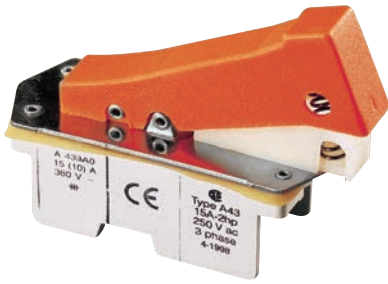


Diagram



■ standard article

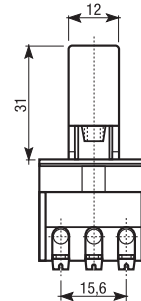
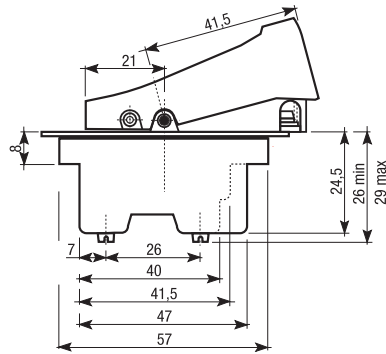
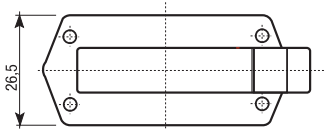
3 pole switches with lever



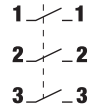
LLA439A0

3 pole switch with orange unstable lever, without fixing holes

10



Diagram



LNA45 series

Part no.

Description

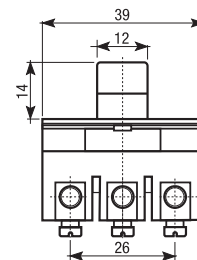
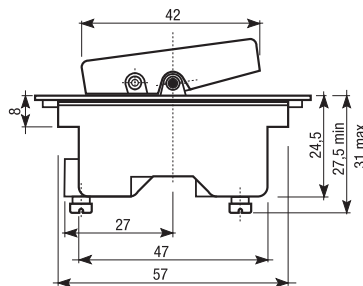
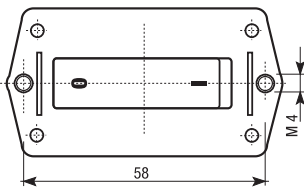
Pack



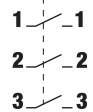
LNA452N2

3 pole switch with black stable lever, fixing holes distance 58mm, L=39mm

10



Diagram



Dustproof cover

Part no.	Description	Pack
----------	-------------	------

PROTG4198	Dustproof cover	10
-----------	-----------------	----

