

Relay sockets

A complete range

Bremas relay sockets range includes DIN rail sockets, plug-in input/interference suppression modules, securing springs, and the matching marking labels.

The modules are largely compatible with the usual standards on the market and have the major international approvals.

Easy, fast and flexible wiring is guaranteed by different options for cable management and connections: besides the screw connection method, relay sockets with the

spring-cage connection are also available for PCB relays with one or two PDT contacts and for industrial relays with two or four PDT contacts.

Double spring-cage connections guarantee easy operations for bridging of different contacts. Sockets with coil terminals and contact terminals on different sides to keep supply and signal wires separated are also available.





■ Socket for octal and undecal relays

Series ES8+12

Sockets for octal relays with 2 PDT contacts and for undecal relays with 3 PDT contacts. This family is characterized by large cross section terminals arranged on one level for good accessibility.

■ Socket for industrial relays

Series ES15

Sockets for plug-in industrial relays with 2, 3 or 4 PDT contacts. These sockets are also available with the spring-cage connection method for 2 or 4 PDT versions. Besides traditional 2/2-level sockets there is also a choice of modern "logical" 1/3-level versions with fully opposite coil and contact connections.

■ Socket for PCB relays

Series ES25+50 and EC25+50

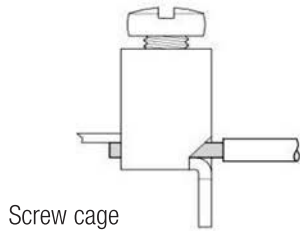
Narrow 16 mm sockets for PCB relays with one or two contacts. The spring-cage connection technology is available for socket relays with 5 mm pinning for DIN rails. Two options for terminals arrangement: 2/2-level and modern "logical" 1/3-level versions.

■ Slim socket for miniature relays

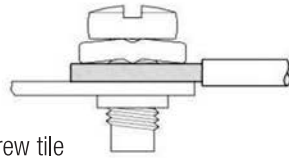
Series ES62

Ultra slim 6,2 mm sockets for miniature relays, available versions with input voltage from 12 to 230 V AC/DC. All these sockets are available with screw and spring-cage connection methods.

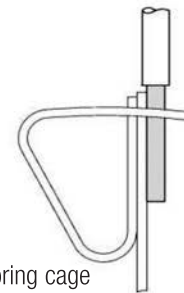
Wire locking systems



Screw cage

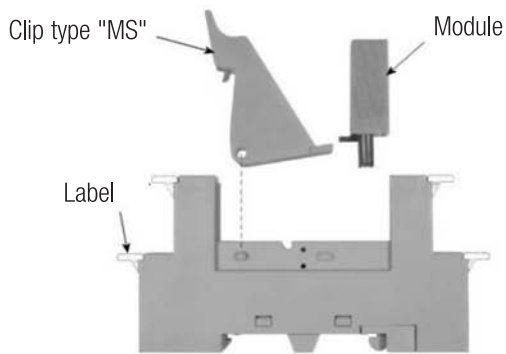


Screw tile

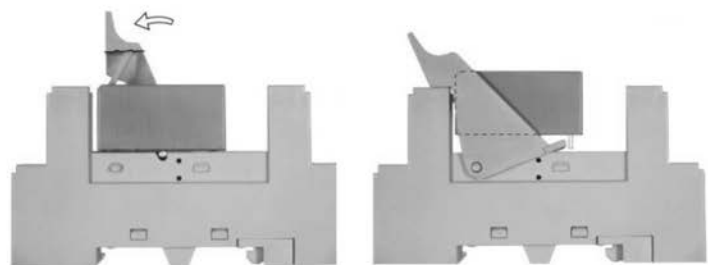


Spring cage
(screwless)

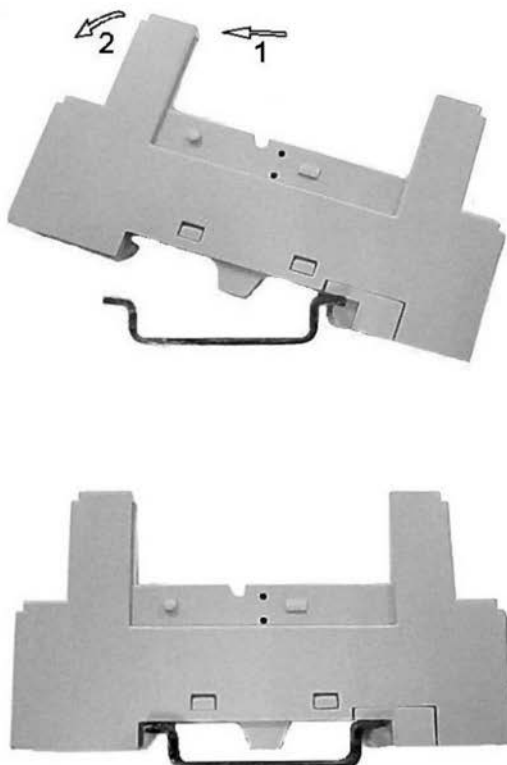
Accessories assembling layout



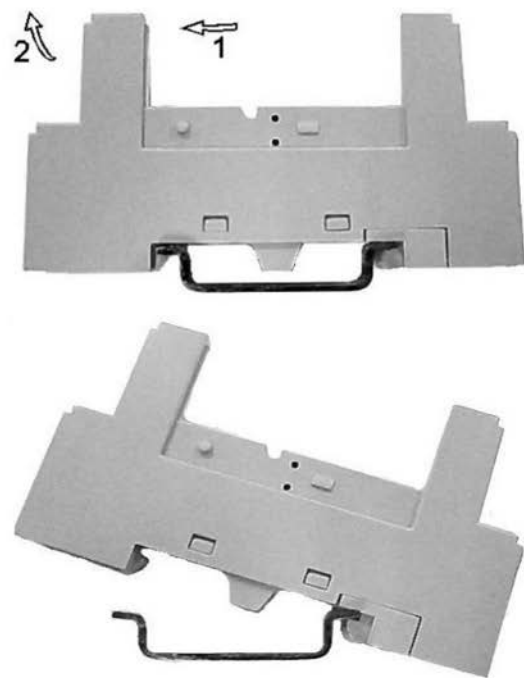
Relay fixed with "MS" spring disassembling layout

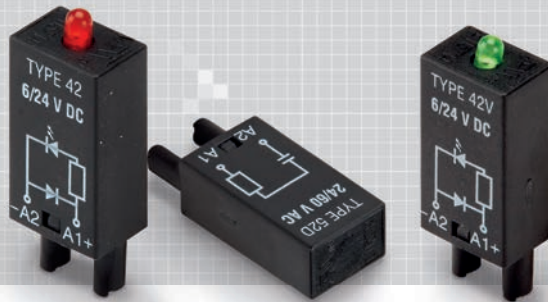


Relay socket assembling layout



Relay socket disassembling layout





Modules with protection against polarity inversion

Model type 22

TYPE22 - Pack. 10/200 pcs

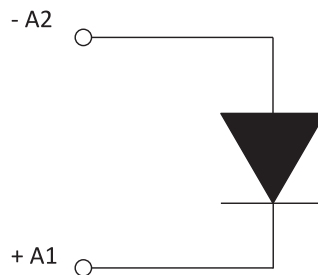
Plug-in module, for mounting on
ES15/4/2B - ES15/4/2G
ES15/4/3/2N - ES15/4/3/2S
ES50 - ES35 - ES32 - ES25 -
ES50/3 - ES50/3S - ES35/3S -
ES-50/3G with damping diode

Electrical data

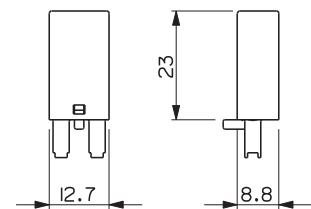
Polarity	A1+ / A2-
Input voltage	6/230 VDC



circuit diagram



dimension



Model type 42

TYPE42 - Pack. 10/200 pcs

Plug-in module, for mounting on
ES15/4/2B - ES15/4/2G -
ES15/4/3/2N - ES15/4/3/2S ES50
- ES35 - ES32 - ES25 - ES50/3 -
ES50/3S - ES35/3S - ES-50/3G
with damping diode and red LED.

Electrical data

Polarity	A1+ / A2-
Input voltage	6/24 VDC



Model type 42V

TYPE42V - Pack. 10/200 pcs

Plug-in module, for mounting on
ES15/4/2B - ES15/4/2G -
ES15/4/3/2N - ES15/4/3/2S ES50
- ES35 - ES32 - ES25 - ES50/3 -
ES50/3S - ES35/3S - ES-50/3G
with damping diode and green LED.

Electrical data

Polarity	A1+ / A2-
Input voltage	6/24 VDC



Model type 42B

TYPE42B - Pack. 10/200 pcs

Plug-in module, for mounting on
ES15/4/2B - ES15/4/2G -
ES15/4/3/2N - ES15/4/3/2S ES50
- ES35 - ES32 - ES25 - ES50/3 -
ES50/3S - ES35/3S - ES-50/3G
with damping diode and red LED.

Electrical data

Polarity	A1+ / A2-
Input voltage	24/60 VDC



Model type 42BV

TYPE42BV - Pack. 10/200 pcs

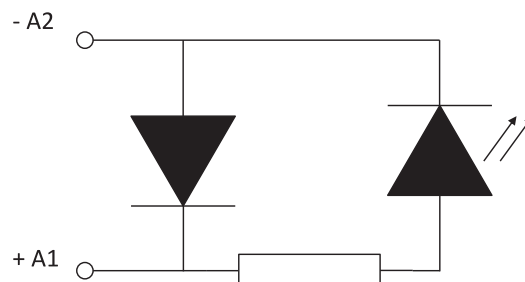
Plug-in module, for mounting on
ES15/4/2B - ES15/4/2G -
ES15/4/3/2N - ES15/4/3/2S ES50
- ES35 - ES32 - ES25 - ES50/3 -
ES50/3S - ES35/3S - ES-50/3G
with damping diode and green LED.

Electrical data

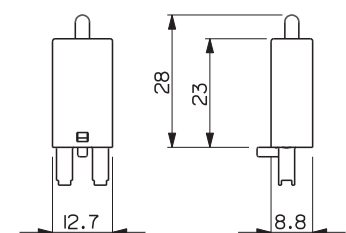
Polarity	A1+ / A2-
Input voltage	24/60 VDC



circuit diagram



dimension



Modules with RC Circuit

Model type 52C

TYPE52C - Pack. 10/200 pcs

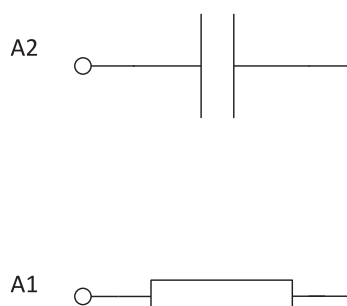
Plug-in module, for mounting on
ES15/4/2B - ES15/4/2G -
ES15/4/3/2N - ES15/4/3/2S
ES50 - ES35 - ES32 - ES25 -
ES50/3 - ES50/3S - ES35/3S -
ES-50/3G with RC circuit.

Electrical data

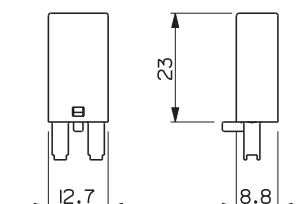
Polarity	A1+ / A2-
Input voltage	110/230 VAC



circuit diagram



dimension



Modules with signaling circuits

Model type 62

TYPE62 - Pack. 10/200 pcs

Plug-in module, for mounting on
ES15/4/2B - ES15/4/2G -
ES15/4/3/2N - ES15/4/3/2S
ES50 - ES35 - ES32 - ES25 -
ES50/3 - ES50/3S - ES35/3S -
ES-50/3G with red LED and
without protections against
polarity inversion.

Electrical data

Polarity	A1+ / A2-
Input voltage	6/24 VAC\VDC



Model type 62V

TYPE62V - Pack. 10/200 pcs

Plug-in module, for mounting on
ES15/4/2B - ES15/4/2G -
ES15/4/3/2N - ES15/4/3/2S
ES50 - ES35 - ES32 - ES25 -
ES50/3 - ES50/3S - ES35/3S -
ES-50/3G with green LED and
without protections against
polarity inversion.

Electrical data

Polarity	A1+ / A2-
Input voltage	6/24 VAC\VDC



Model type 62B

TYPE62B - Pack. 10/200 pcs

Plug-in module, for mounting on
ES15/4/2B - ES15/4/2G -
ES15/4/3/2N - ES15/4/3/2S
ES50 - ES35 - ES32 - ES25 -
ES50/3 - ES50/3S - ES35/3S -
ES-50/3G with red LED and
without protections against
polarity inversion.

Electrical data

Polarity	A1+ / A2-
Input voltage	24/60 VDC



Model type 62E

TYPE62E - Pack. 10/200 pcs

Plug-in module, for mounting on
ES15/4/2B - ES15/4/2G -
ES15/4/3/2N - ES15/4/3/2S
ES50 - ES35 - ES32 - ES25 -
ES50/3 - ES50/3S - ES35/3S -
ES-50/3G with red LED and
without protections against
polarity inversion.

Electrical data

Polarity	A1+ / A2-
Input voltage	24/60 VAC\VDC



Model type 92

TYPE92 - Pack. 10/200 pcs

Plug-in module, for mounting on
ES15/4/2B - ES15/4/2G -
ES15/4/3/2N - ES15/4/3/2S
ES50 - ES35 - ES32 - ES25 -
ES50/3 - ES50/3S - ES35/3S -
ES-50/3G with red LED and
without protections against
polarity inversion.

Electrical data

Polarity	A1+ / A2-
Input voltage	110/230VAC\VDC



Model type 92V

TYPE92V - Pack. 10/200 pcs

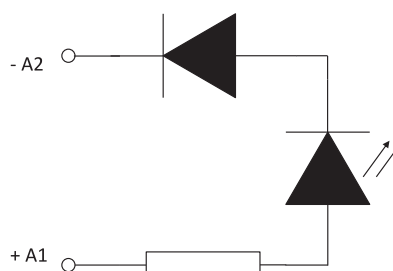
Plug-in module, for mounting on
ES15/4/2B - ES15/4/2G -
ES15/4/3/2N - ES15/4/3/2S
ES50 - ES35 - ES32 - ES25 -
ES50/3 - ES50/3S - ES35/3S -
ES-50/3G with green LED and
without protections against
polarity inversion.

Electrical data

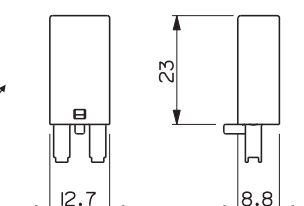
Polarity	A1+ / A2-
Input voltage	110/230 VAC\VDC



circuit diagram



dimension



Modules with signaling circuits and varistor

Model type 62C TYPE62C - Pack. 10/200 pcs

Plug-in module, for mounting on ES15/4/2B - ES15/4/2G - ES15/4/3/2N - ES15/4/3/2S ES50 - ES35 - ES32 - ES25 - ES50/3 - ES50/3S - ES35/3S - ES-50/3G with varistor and red LED.

Electrical data	
Polarity	A1+ / A2-
Input voltage	6/24 VAC\VDC



Model type 62CV TYPE62CV - Pack. 10/200 pcs

Plug-in module, for mounting on ES15/4/2B - ES15/4/2G - ES15/4/3/2N - ES15/4/3/2S ES50 - ES35 - ES32 - ES25 - ES50/3 - ES50/3S - ES35/3S - ES-50/3G with varistor and green LED.

Electrical data	
Polarity	A1+ / A2-
Input voltage	6/24 VAC\VDC



Model type 62DV TYPE62DV - Pack. 10/200 pcs

Plug-in module, for mounting on ES15/4/2B - ES15/4/2G - ES15/4/3/2N - ES15/4/3/2S ES50 - ES35 - ES32 - ES25 - ES50/3 - ES50/3S - ES35/3S - ES-50/3G with varistor and green LED.

Electrical data	
Polarity	A1+ / A2-
Input voltage	24/60 VAC\VDC



Model type 92C TYPE92C - Pack. 10/200 pcs

Plug-in module, for mounting on ES15/4/2B - ES15/4/2G - ES15/4/3/2N - ES15/4/3/2S ES50 - ES35 - ES32 - ES25 - ES50/3 - ES50/3S - ES35/3S - ES-50/3G with varistor and red LED.

Electrical data	
Polarity	A1+ / A2-
Input voltage	110/230 VAC\VDC



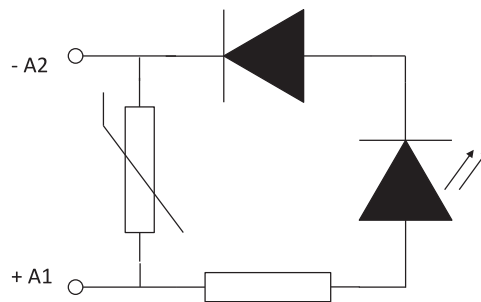
Model type 92CV TYPE92CV - Pack. 10/200 pcs

Plug-in module, for mounting on ES15/4/2B - ES15/4/2G - ES15/4/3/2N - ES15/4/3/2S ES50 - ES35 - ES32 - ES25 - ES50/3 - ES50/3S - ES35/3S - ES-50/3G with varistor and green LED.

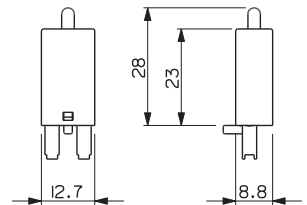
Electrical data	
Polarity	A1+ / A2-
Input voltage	110/230 VAC\VDC



circuit diagram



dimension



Modules with varistor

Model type 72 TYPE72 - Pack. 10/200 pcs

Plug-in module, for mounting on ES15/4/2B - ES15/4/2G - ES15/4/3/2N - ES15/4/3/2S ES50 - ES35 - ES32 - ES25 - ES50/3 - ES50/3S - ES35/3S - ES-50/3G with varistor.

Electrical data	
Polarity	A1+ / A2-
Input voltage	24 VAC



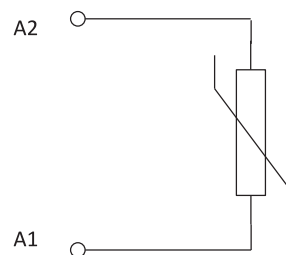
Model type 82V TYPE82V - Pack. 10/200 pcs

Plug-in module, for mounting on ES15/4/2B - ES15/4/2G - ES15/4/3/2N - ES15/4/3/2S ES50 - ES35 - ES32 - ES25 - ES50/3 - ES50/3S - ES35/3S - ES-50/3G with varistor.

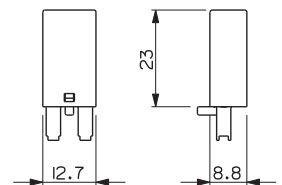
Electrical data	
Polarity	A1+ / A2-
Input voltage	230 VAC



circuit diagram



dimension





Sockets
for PCB relays

Socket model ES 25

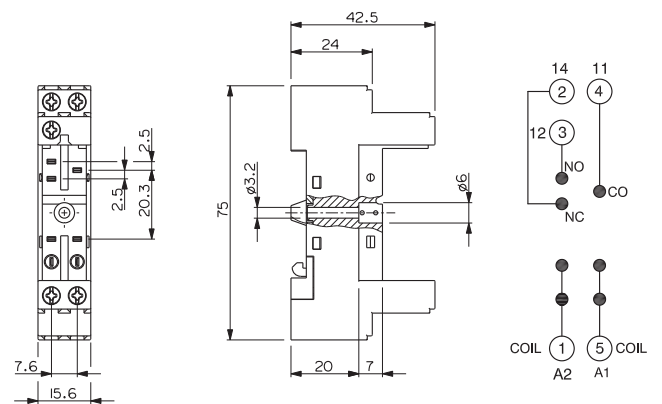
ES25CNER - Pack. 10/240 pcs

Relay socket Model ES 25, for miniature power relay, miniature switching relay or solid-state relay with 1 PDT and 2,5 mm pinning, 2/2 level design, screw connections, connection facility for input interference suppression modules.

Rated current / Rated voltage	12 A / 300 VAC (CSA)
	10 A / 300 VAC (UL)
Dielectric strength adjacent contact circuits	2500V
Dielectric strength coil contact circuits	2500V

Connection data	
Conductor cross section solid and stranded	min. 0,5 mm ²
Conductor cross section solid and stranded	max. 2,5 mm ²
Conductor cross section AWG	min. 20
Conductor cross section AWG	max 14
Stripping length	7 mm
Screw thread	M3

General data	
Width	15,6 mm
Height	75,5 mm
Color	Black
Ambient temperature (operation)	-25 °C ... 85 °C



Accessories



Model TR

TR - Pack. 10/1000 pcs

Plate for ES50, ES35, ES32, ES25, ES50/3G, ES50/3S, ES35/3S, ES15/4-2B, ES15/4-2G



Model MS 16

MS16 - Pack. 10/200 pcs

Spring for relay securing and releasing

Material: Thermoplastic

Relay height: 15,5-16,5 mm

Supported sockets:

ES50-35-32-25, ES50/3, ES50/3S, ES35/3S, ES50/3G



Model MS 16 C

MS16C - Pack. 10/200 pcs

Spring for relay securing and releasing

Material: Thermoplastic

Relay height: 15,5-16,5 mm

Supported sockets:

ES50-35-32-25, ES50/3, ES50/3S, ES35/3S, ES50/3G



Model MS 25

MS25 - Pack. 10/200 pcs

Spring for relay securing and releasing

Material: Thermoplastic

Relay height: 25-25,5 mm

Supported sockets:

ES50-35-32-25, ES50/3, ES50/3S, ES35/3S, ES50/3G

Socket model ES 32

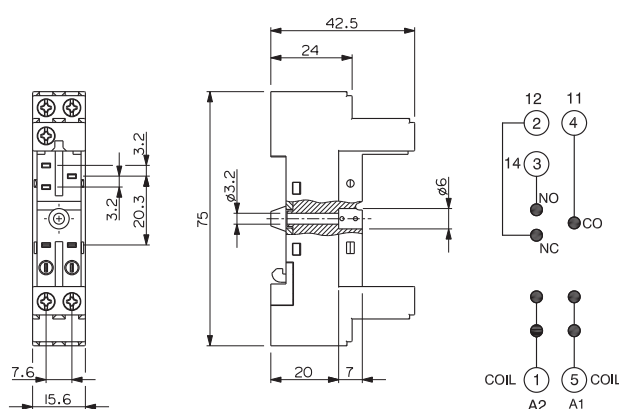
ES32CNER - Pack. 10/240 pcs

Relay socket Model ES 32, for miniature power relay, miniature switching relay or solid-state relay with 1 PDT and 3,2 mm pinning, 2/2 level design, screw connections, connection facility for input interference suppression modules.

Rated current / Rated voltage	12 A / 300 VAC (CSA)
	10 A / 300 VAC (UL)
Dielectric strength adjacent contact circuits	2500V
Dielectric strength coil contact circuits	2500V

Connection data	
Conductor cross section solid and stranded	min. 0,5 mm ²
Conductor cross section solid and stranded	max. 2,5 mm ²
Conductor cross section AWG	min. 20
Conductor cross section AWG	max 14
Stripping length	7 mm
Screw thread	M3

General data	
Width	15,6 mm
Height	75,5 mm
Color	Black
Ambient temperature (operation)	-25 °C ... 85 °C



Accessories



Model TR

TR - Pack. 10/1000 pcs

Plate for ES50, ES35, ES32, ES25, ES50/3G, ES50/3S, ES35/3S, ES15/4-2B, ES15/4-2G



Model MS 16

MS16 - Pack. 10/200 pcs

Spring for relay securing and releasing

Material: Thermoplastic

Relay height: 15,5-16,5 mm

Supported sockets:

ES50-35-32-25, ES50/3, ES50/3S, ES35/3S, ES50/3G



Model MS 16 C

MS16C - Pack. 10/200 pcs

Spring for relay securing and releasing

Material: Thermoplastic

Relay height: 15,5-16,5 mm

Supported sockets:

ES50-35-32-25, ES50/3, ES50/3S, ES35/3S, ES50/3G



Model MS 25

MS25 - Pack. 10/200 pcs

Spring for relay securing and releasing

Material: Thermoplastic

Relay height: 25-25,5 mm

Supported sockets:

ES50-35-32-25, ES50/3, ES50/3S, ES35/3S, ES50/3G

Socket model ES 35

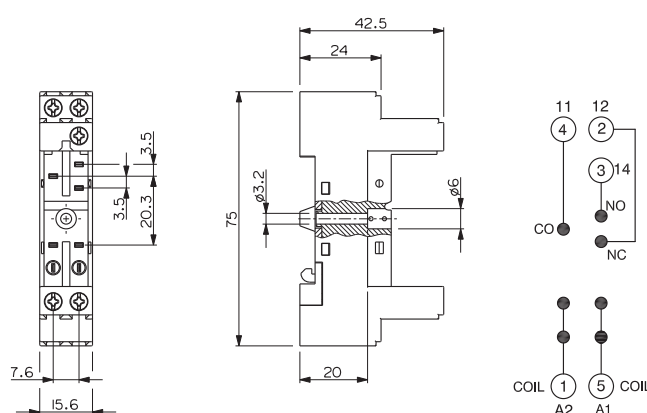
ES35CNER - Pack. 10/240 pcs

Relay socket Model ES 35, for miniature power relay or miniature switching relay or solid-state relay with 1 PDT and 3,5 mm pinning, 2/2 level design, screw connections, connection facility for input interference suppression modules.

Rated current / Rated voltage	12 A / 300 VAC (CSA)
	10 A / 300 VAC (UL)
Dielectric strength adjacent contact circuits	2500V
Dielectric strength coil contact circuits	2500V

Connection data	
Conductor cross section solid and stranded	min. 0,5 mm ²
Conductor cross section solid and stranded	max. 2,5 mm ²
Conductor cross section AWG	min. 20
Conductor cross section AWG	max 14
Stripping length	7 mm
Screw thread	M3

General data	
Width	15,6 mm
Height	75,5 mm
Color	Black
Ambient temperature (operation)	-25 °C ... 85 °C



Accessories



Model TR

TR - Pack. 10/1000 pcs

Plate for ES50, ES35, ES32, ES25, ES50/3G, ES50/3S, ES35/3S, ES15/4-2B, ES15/4-2G



Model MS 16

MS16 - Pack. 10/200 pcs

Spring for relay securing and releasing

Material: Thermoplastic

Relay height: 15,5-16,5 mm

Supported sockets:

ES50-35-32-25, ES50/3, ES50/3S, ES35/3S, ES50/3G



Model MS 16 C

MS16C - Pack. 10/200 pcs

Spring for relay securing and releasing

Material: Thermoplastic

Relay height: 15,5-16,5 mm

Supported sockets:

ES50-35-32-25, ES50/3, ES50/3S, ES35/3S, ES50/3G



Model MS 25

MS25 - Pack. 10/200 pcs

Spring for relay securing and releasing

Material: Thermoplastic

Relay height: 25-25,5 mm

Supported sockets:

ES50-35-32-25, ES50/3, ES50/3S, ES35/3S, ES50/3G

Standard article

Socket model ES 35/3S

ES353SCNER - Pack. 10/240 pcs

Relay socket Model ES 35/3 S, for miniature power relay or miniature switching relay or solid-state relay with 1 PDT and 3,5 mm pinning, 1/3 level design, screw connections, connection facility for input interference suppression modules.

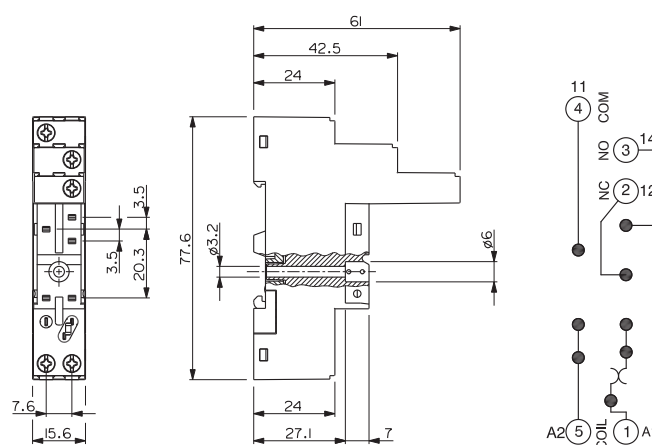
Rated voltage	300 VAC
Rated current	12 A
Dielectric strength adjacent contact circuits	2500V
Dielectric strength coil contact circuits	2500V

Connection data

Conductor cross section solid and stranded	min. 0,5 mm ²
Conductor cross section solid and stranded	max. 2,5 mm ²
Conductor cross section AWG	min. 20
Conductor cross section AWG	max 14
Stripping length	7 mm
Screw thread	M3

General data

Width	15,6 mm
Height	77,6 mm
Color	Black
Ambient temperature (operation)	-25 °C ... 85 °C



Accessories



Model TR

TR - Pack. 10/1000 pcs

Plate for ES50, ES35, ES32, ES25, ES50/3G, ES50/3S, ES35/3S, ES15/4-2B, ES15/4-2G



Model MS 16

MS16 - Pack. 10/200 pcs

Spring for relay securing and releasing

Material: Thermoplastic

Relay height: 15,5-16,5 mm

Supported sockets:

ES50-35-32-25, ES50/3, ES50/3S, ES35/3S, ES50/3G



Model MS 16 C

MS16C - Pack. 10/200 pcs

Spring for relay securing and releasing

Material: Thermoplastic

Relay height: 15,5-16,5 mm

Supported sockets:

ES50-35-32-25, ES50/3, ES50/3S, ES35/3S, ES50/3G



Model MS 25

MS25 - Pack. 10/200 pcs

Spring for relay securing and releasing

Material: Thermoplastic

Relay height: 25-25,5 mm

Supported sockets:

ES50-35-32-25, ES50/3, ES50/3S, ES35/3S, ES50/3G

Socket model ES 50

ES50CNER - Pack. 10/240 pcs

Relay socket Model ES 50, for miniature power relay or miniature switching relay or solid-state relay with 1 or 2 PDT and 5 mm pinning, 2/2 level design, screw connections, connection facility for input interference suppression modules.

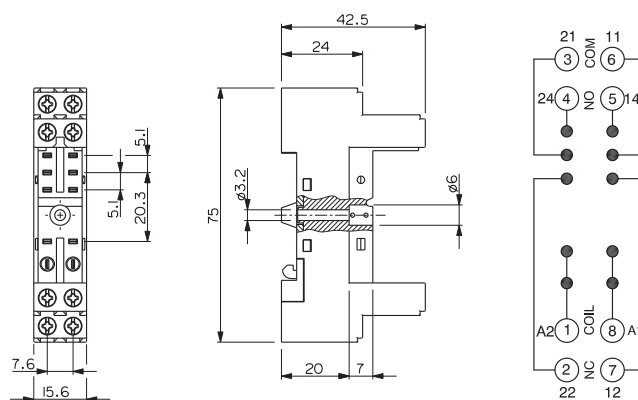
Rated current / Rated voltage	12 A / 300 V (CSA)
	10 A / 300 V (UL)
Dielectric strength adjacent contact circuits	2500V
Dielectric strength coil contact circuits	2500V

Connection data

Conductor cross section solid and stranded	min. 0,5 mm ²
Conductor cross section solid and stranded	max. 2,5 mm ²
Conductor cross section AWG	min. 20
Conductor cross section AWG	max 14
Stripping length	7 mm
Screw thread	M3

General data

Width	15,6 mm
Height	75,5 mm
Color	Black
Ambient temperature (operation)	-25 °C ... 85 °C



Accessories



Model TR

TR - Pack. 10/1000 pcs

Plate for ES50, ES35, ES32, ES25, ES50/3G, ES50/3S, ES35/3S, ES15/4-2B, ES15/4-2G



Model MS 16

MS16 - Pack. 10/200 pcs

Spring for relay securing and releasing

Material: Thermoplastic

Relay height: 15,5-16,5 mm

Supported sockets:

ES50-35-32-25, ES50/3, ES50/3S, ES35/3S, ES50/3G



Model MS 16 C

MS16C - Pack. 10/200 pcs

Spring for relay securing and releasing

Material: Thermoplastic

Relay height: 15,5-16,5 mm

Supported sockets:

ES50-35-32-25, ES50/3, ES50/3S, ES35/3S, ES50/3G



Model MS 25

MS25 - Pack. 10/200 pcs

Spring for relay securing and releasing

Material: Thermoplastic

Relay height: 25-25,5 mm

Supported sockets:

ES50-35-32-25, ES50/3, ES50/3S, ES35/3S, ES50/3G

Socket model ES 50/3

ES503CNER - Pack. 10/240 pcs

Relay socket Model ES 50/3, for miniature power relay or miniature switching relay or solid-state relay with 2 PDT and 5 mm pinning, safety isolation among coil contacts and power contacts, 1/3 level design, screw connections, connection facility for input interference suppression modules.

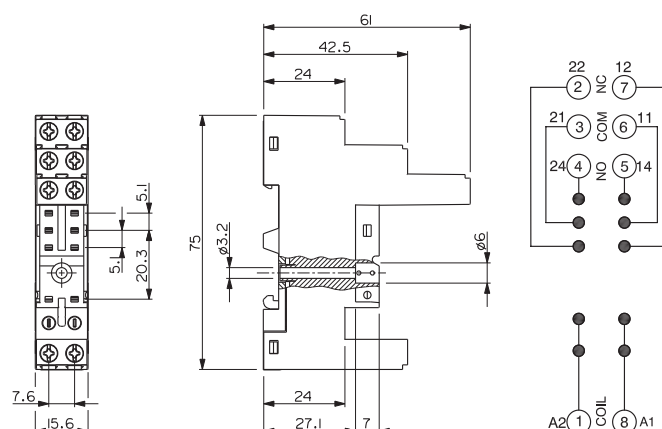
Rated voltage	300 VAC
Rated current	12 A
Dielectric strength adjacent contact circuits	2500V
Dielectric strength coil contact circuits	2500V

Connection data

Conductor cross section solid and stranded	min. 0,5 mm ²
Conductor cross section solid and stranded	max. 2,5 mm ²
Conductor cross section AWG	min. 20
Conductor cross section AWG	max 14
Stripping length	7 mm
Screw thread	M3

General data

Width	15,6 mm
Height	75,6 mm
Color	Black
Ambient temperature (operation)	-25 °C ... 85 °C



Accessories



Model TR

TR - Pack. 10/1000 pcs

Plate for ES50, ES35, ES32, ES25, ES50/3G, ES50/3S, ES35/3S, ES15/4-2B, ES15/4-2G



Model MS 16

MS16 - Pack. 10/200 pcs

Spring for relay securing and releasing

Material: Thermoplastic

Relay height: 15,5-16,5 mm

Supported sockets:

ES50-35-32-25, ES50/3, ES50/3S, ES35/3S, ES50/3G



Model MS 16 C

MS16C - Pack. 10/200 pcs

Spring for relay securing and releasing

Material: Thermoplastic

Relay height: 15,5-16,5 mm

Supported sockets:

ES50-35-32-25, ES50/3, ES50/3S, ES35/3S, ES50/3G



Model MS 25

MS25 - Pack. 10/200 pcs

Spring for relay securing and releasing

Material: Thermoplastic

Relay height: 25-25,5 mm

Supported sockets:

ES50-35-32-25, ES50/3, ES50/3S, ES35/3S, ES50/3G

Standard article

Socket model ES 50/3S

ES503SCNER - Pack. 10/240 pcs

Relay socket Model ES 50/3 S, for miniature power relay or miniature switching relay or solid-state relay with 2 PDT and 5 mm pinning, 1/3 level design, screw connections, connection facility for input interference suppression modules.

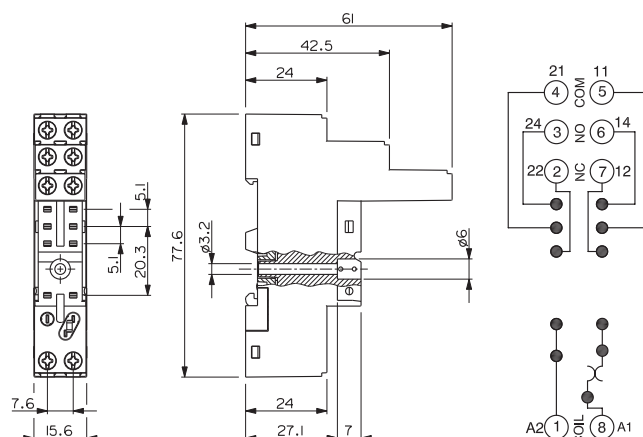
Rated voltage	300 VAC
Rated current	12 A
Dielectric strength adjacent contact circuits	2500V
Dielectric strength coil contact circuits	2500V

Dati sulle connessioni

Sezione conduttori rigidi e flessibili	min. 0,5 mm²
Sezione conduttori rigidi e flessibili	max. 2,5 mm²
Sezione conduttori AWG	min. 20
Sezione conduttori AWG	max 14
Lunghezza di spelatura	7 mm
Tipo vite	M3

General data

Width	15,6 mm
Height	77,6 mm
Color	Black
Ambient temperature (operation)	-25 °C ... 85 °C



Accessories



Model TR

TR - Pack. 10/1000 pcs

Plate for ES50, ES35, ES32, ES25, ES50/3G, ES50/3S, ES35/3S, ES15/4-2B, ES15/4-2G



Model MS 16

MS16 - Pack. 10/200 pcs

Spring for relay securing and releasing

Material: Thermoplastic

Relay height: 15,5-16,5 mm

Supported sockets:

ES50-35-32-25, ES50/3, ES50/3S, ES35/3S, ES50/3G



Model MS 16 C

MS16C - Pack. 10/200 pcs

Spring for relay securing and releasing

Material: Thermoplastic

Relay height: 15,5-16,5 mm

Supported sockets:

ES50-35-32-25, ES50/3, ES50/3S, ES35/3S, ES50/3G



Model MS 25

MS25 - Pack. 10/200 pcs

Spring for relay securing and releasing

Material: Thermoplastic

Relay height: 25-25,5 mm

Supported sockets:

ES50-35-32-25, ES50/3, ES50/3S, ES35/3S, ES50/3G

Socket model ES 50/3G

ES503GCNER - Pack. 10/240 pcs

Relay socket Model ES 50/3 G, for miniature power relay or miniature switching relay with or solid-state relay, 2 PDT and 5 mm pinning, 1/3 level design, spring-cage connections, connection facility for input interference suppression modules.

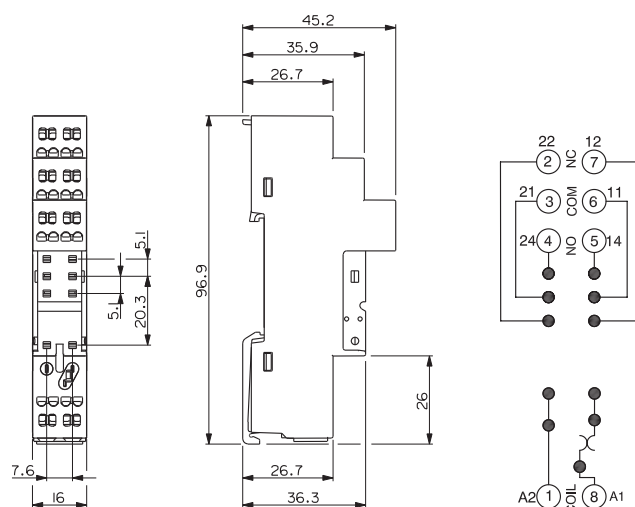
Rated voltage	300 VAC
Rated current	10 A
Dielectric strength adjacent contact circuits	2500V
Dielectric strength coil contact circuits	2500V

Connection data

Conductor cross section solid and stranded	min. 0,2 mm ² two wires for terminal
Conductor cross section solid and stranded	max. 1,5 mm ² two wires for terminal
Conductor cross section AWG	min. 20
Conductor cross section AWG	max 16
Stripping length	11 mm

General data

Width	16 mm
Height	97 mm
Color	Black
Ambient temperature (operation)	-25 °C ... 85 °C



Accessories



Model TR

TR - Pack. 10/1000 pcs

Plate for ES50, ES35, ES32, ES25, ES50/3G, ES50/3S, ES35/3S, ES15/4-2B, ES15/4-2G



Model MS 16

MS16 - Pack. 10/200 pcs

Spring for relay securing and releasing

Material: Thermoplastic

Relay height: 15,5-16,5 mm

Supported sockets:

ES50-35-32-25, ES50/3, ES50/3S, ES35/3S, ES50/3G



Model MS 16 C

MS16C - Pack. 10/200 pcs

Spring for relay securing and releasing

Material: Thermoplastic

Relay height: 15,5-16,5 mm

Supported sockets:

ES50-35-32-25, ES50/3, ES50/3S, ES35/3S, ES50/3G



Model MS 25

MS25 - Pack. 10/200 pcs

Spring for relay securing and releasing

Material: Thermoplastic

Relay height: 25-25,5 mm

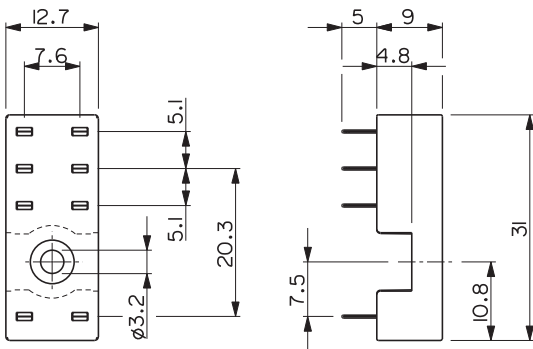
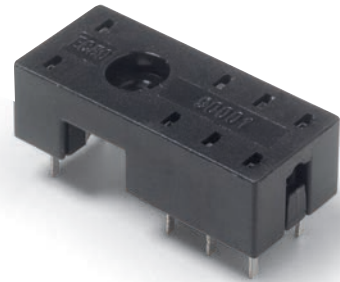
Supported sockets:

ES50-35-32-25, ES50/3, ES50/3S, ES35/3S, ES50/3G

Socket model EC 50

EC50CNER - Pack. 100/500 pcs

Relay socket model EC 50, for miniature power relay or miniature switching relay with 2 PDT and 5mm pinning.



Accessories



Model MP 12

MP12 - Pack. 100/2000 pcs

Spring for relay securing and releasing

Material: Thermoplastic

Relay height: 25-25,5 mm

Supported sockets: EC 50-35-32-25

Model MH 16

MH16 - Pack. 100/1000 pcs

Spring for relay securing

Material: X Cr Ni Steel

Relay height: 15-16,5mm

Supported sockets:
EC 50-35-32-25

Model MP 16

MP16 - Pack. 100/2000 pcs

Spring for relay securing and releasing

Material: Thermoplastic

Relay height: 15-16,5 mm

Supported sockets: EC 50-35-32-25

Model MH 25

MH25 - Pack. 100/1000 pcs

Spring for relay securing

Material: X Cr Ni Steel

Relay height: 25-25,5mm

Supported sockets:
EC 50-35-32-25

Model MP 25

MP25 - Pack. 100/1500 pcs

Spring for relay securing and releasing

Material: Thermoplastic

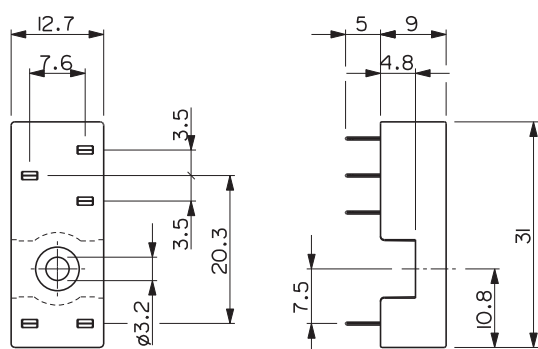
Relay height: 25-25,5 mm

Supported sockets: EC 50-35-32-25

Socket model EC 35

EC35CNER - Pack. 100/500 pcs

Relay socket model EC 35, for miniature power relay or miniature switching relay with 1 PDT and 3,5mm pinning.



Accessories



Model MP 12

MP12 - Pack. 100/2000 pcs

Spring for relay securing and releasing

Material: Thermoplastic

Relay height: 25-25,5 mm

Supported sockets: EC 50-35-32-25



Model MH 16

MH16 - Pack. 100/1000 pcs

Spring for relay securing

Material: X Cr Ni Steel

Relay height: 15-16,5mm

Supported sockets:

EC 50-35-32-25

Model MP 16

MP16 - Pack. 100/2000 pcs

Spring for relay securing and releasing

Material: Thermoplastic

Relay height: 15-16,5 mm

Supported sockets: EC 50-35-32-25

Model MH 25

MH25 - Pack. 100/1000 pcs

Spring for relay securing

Material: X Cr Ni Steel

Relay height: 25-25,5mm

Supported sockets:

EC 50-35-32-25

Model MP 25

MP25 - Pack. 100/1500 pcs

Spring for relay securing and releasing

Material: Thermoplastic

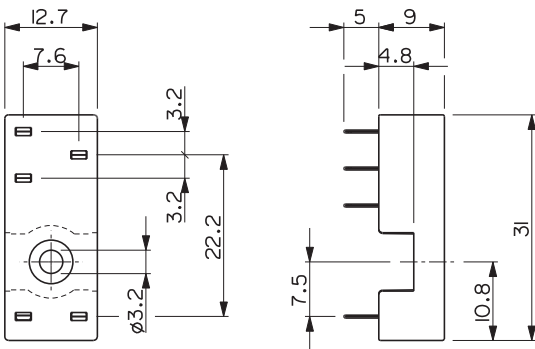
Relay height: 25-25,5 mm

Supported sockets: EC 50-35-32-25

Socket model EC 32

EC32CNER - Pack. 100/500 pcs

Relay socket model EC 32, for miniature power relay or miniature switching relay with 1 PDT and 3,2mm pinning.



Accessories



Model MP 12

MP12 - Pack. 100/2000 pcs

Spring for relay securing and releasing

Material: Thermoplastic

Relay height: 25-25,5 mm

Supported sockets: EC 50-35-32-25



Model MH 16

MH16 - Pack. 100/1000 pcs

Spring for relay securing

Material: X Cr Ni Steel

Relay height: 15-16,5mm

Supported sockets:

EC 50-35-32-25

Model MP 16

MP16 - Pack. 100/2000 pcs

Spring for relay securing and releasing

Material: Thermoplastic

Relay height: 15-16,5 mm

Supported sockets: EC 50-35-32-25

Model MH 25

MH25 - Pack. 100/1000 pcs

Spring for relay securing

Material: X Cr Ni Steel

Relay height: 25-25,5mm

Supported sockets:

EC 50-35-32-25

Model MP 25

MP25 - Pack. 100/1500 pcs

Spring for relay securing and releasing

Material: Thermoplastic

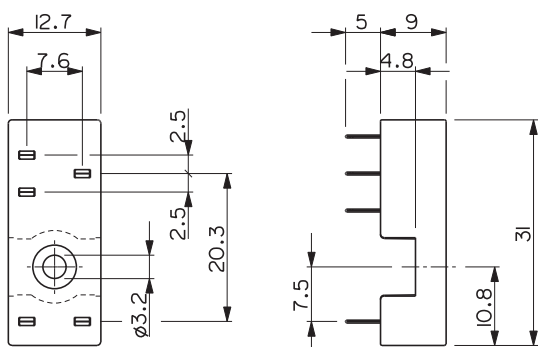
Relay height: 25-25,5 mm

Supported sockets: EC 50-35-32-25

Socket model EC 25

EC25CNER - Pack. 100/500 pcs

Relay socket model EC 25, for miniature power relay or miniature switching relay with 1 PDT and 2,5mm pinning.



Accessories



Model MP 12

MP12 - Pack. 100/2000 pcs

Spring for relay securing and releasing

Material: Thermoplastic

Relay height: 25-25,5 mm

Supported sockets: EC 50-35-32-25

Model MH 16

MH16 - Pack. 100/1000 pcs

Spring for relay securing

Material: X Cr Ni Steel

Relay height: 15-16,5mm

Supported sockets:

EC 50-35-32-25

Model MP 16

MP16 - Pack. 100/2000 pcs

Spring for relay securing and releasing

Material: Thermoplastic

Relay height: 15-16,5 mm

Supported sockets: EC 50-35-32-25

Model MH 25

MH25 - Pack. 100/1000 pcs

Spring for relay securing

Material: X Cr Ni Steel

Relay height: 25-25,5mm

Supported sockets:

EC 50-35-32-25

Model MP 25

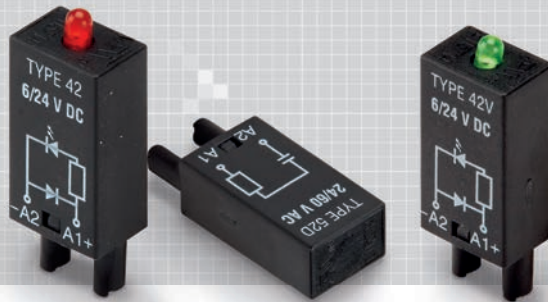
MP25 - Pack. 100/1500 pcs

Spring for relay securing and releasing

Material: Thermoplastic

Relay height: 25-25,5 mm

Supported sockets: EC 50-35-32-25



Modules with protection against polarity inversion

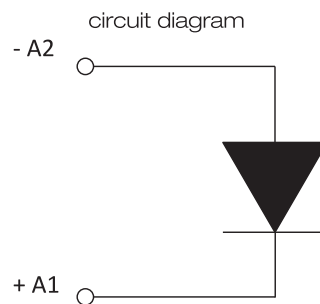
Model type 22

TYPE22 - Pack. 10/200 pcs

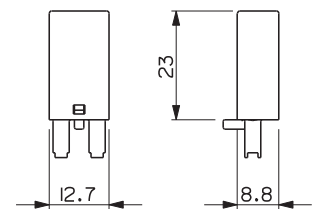
Plug-in module, for mounting on
ES15/4/2B - ES15/4/2G
ES15/4/3/2N - ES15/4/3/2S
ES50 - ES35 - ES32 - ES25 -
ES50/3 - ES50/3S - ES35/3S -
ES-50/3G with damping diode.

Electrical data

Polarity	A1+ / A2-
Input voltage	6/230 VDC



dimension



Model type 42

TYPE42 - Pack. 10/200 pcs

Plug-in module, for mounting on
ES15/4/2B - ES15/4/2G -
ES15/4/3/2N - ES15/4/3/2S ES50
- ES35 - ES32 - ES25 - ES50/3 -
ES50/3S - ES35/3S - ES-50/3G
with damping diode and red LED.

Electrical data

Polarity	A1+ / A2-
Input voltage	6/24 VDC



Model type 42V

TYPE42V - Pack. 10/200 pcs

Plug-in module, for mounting on
ES15/4/2B - ES15/4/2G -
ES15/4/3/2N - ES15/4/3/2S ES50
- ES35 - ES32 - ES25 - ES50/3 -
ES50/3S - ES35/3S - ES-50/3G
with damping diode and green LED.

Electrical data

Polarity	A1+ / A2-
Input voltage	6/24 VDC



Model type 42B

TYPE42B - Pack. 10/200 pcs

Plug-in module, for mounting on
ES15/4/2B - ES15/4/2G -
ES15/4/3/2N - ES15/4/3/2S ES50
- ES35 - ES32 - ES25 - ES50/3 -
ES50/3S - ES35/3S - ES-50/3G
with damping diode and red LED.

Electrical data

Polarity	A1+ / A2-
Input voltage	24/60 VDC



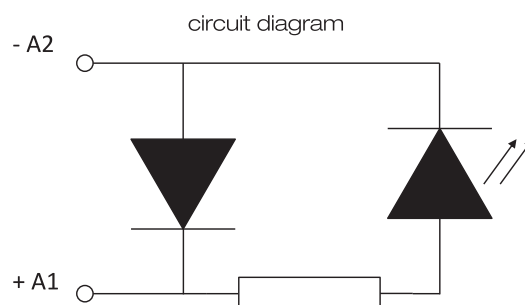
Model type 42BV

TYPE42BV - Pack. 10/200 pcs

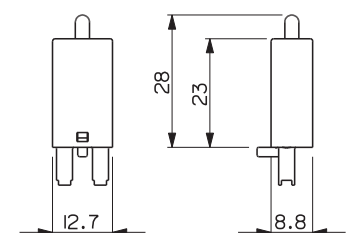
Plug-in module, for mounting on
ES15/4/2B - ES15/4/2G -
ES15/4/3/2N - ES15/4/3/2S ES50
- ES35 - ES32 - ES25 - ES50/3 -
ES50/3S - ES35/3S - ES-50/3G
with damping diode and green LED.

Electrical data

Polarity	A1+ / A2-
Input voltage	24/60 VDC



dimension



Modules with RC Circuit

Model type 52C

TYPE52C - Pack. 10/200 pcs

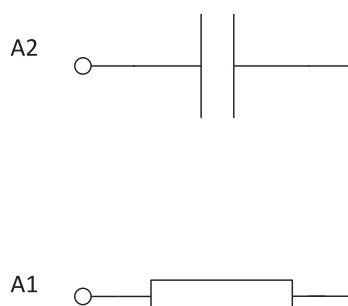
Plug-in module, for mounting on
ES15/4/2B - ES15/4/2G -
ES15/4/3/2N - ES15/4/3/2S
ES50 - ES35 - ES32 - ES25 -
ES50/3 - ES50/3S - ES35/3S -
ES-50/3G with RC circuit.

Electrical data

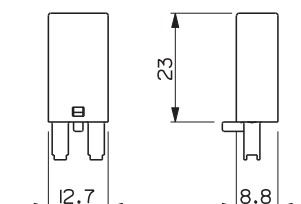
Polarity	A1+ / A2-
Input voltage	110/230 VAC



circuit diagram



dimension



Modules with signaling circuits

Model type 62

TYPE62 - Pack. 10/200 pcs

Plug-in module, for mounting on
ES15/4/2B - ES15/4/2G -
ES15/4/3/2N - ES15/4/3/2S
ES50 - ES35 - ES32 - ES25 -
ES50/3 - ES50/3S - ES35/3S -
ES-50/3G with red LED and
without protections against
polarity inversion.

Electrical data

Polarity	A1+ / A2-
Input voltage	6/24 VAC\VDC



Model type 62V

TYPE62V - Pack. 10/200 pcs

Plug-in module, for mounting on
ES15/4/2B - ES15/4/2G -
ES15/4/3/2N - ES15/4/3/2S
ES50 - ES35 - ES32 - ES25 -
ES50/3 - ES50/3S - ES35/3S -
ES-50/3G with green LED and
without protections against
polarity inversion.

Electrical data

Polarity	A1+ / A2-
Input voltage	6/24 VAC\VDC



Model type 62B

TYPE62B - Pack. 10/200 pcs

Plug-in module, for mounting on
ES15/4/2B - ES15/4/2G -
ES15/4/3/2N - ES15/4/3/2S
ES50 - ES35 - ES32 - ES25 -
ES50/3 - ES50/3S - ES35/3S -
ES-50/3G with red LED and
without protections against
polarity inversion.

Electrical data

Polarity	A1+ / A2-
Input voltage	24/60 VDC



Model type 62E

TYPE62E - Pack. 10/200 pcs

Plug-in module, for mounting on
ES15/4/2B - ES15/4/2G -
ES15/4/3/2N - ES15/4/3/2S
ES50 - ES35 - ES32 - ES25 -
ES50/3 - ES50/3S - ES35/3S -
ES-50/3G with red LED and
without protections against
polarity inversion.

Electrical data

Polarity	A1+ / A2-
Input voltage	24/60 VAC\VDC



Model type 92

TYPE92 - Pack. 10/200 pcs

Plug-in module, for mounting on
ES15/4/2B - ES15/4/2G -
ES15/4/3/2N - ES15/4/3/2S
ES50 - ES35 - ES32 - ES25 -
ES50/3 - ES50/3S - ES35/3S -
ES-50/3G with red LED and
without protections against
polarity inversion.

Electrical data

Polarity	A1+ / A2-
Input voltage	110/230 VAC\VDC



Model type 92V

TYPE92V - Pack. 10/200 pcs

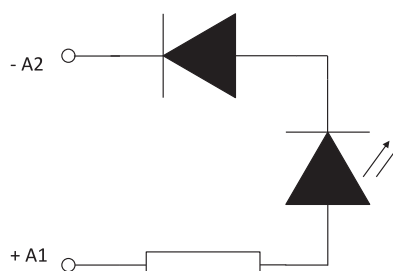
Plug-in module, for mounting on
ES15/4/2B - ES15/4/2G -
ES15/4/3/2N - ES15/4/3/2S
ES50 - ES35 - ES32 - ES25 -
ES50/3 - ES50/3S - ES35/3S -
ES-50/3G with green LED and
without protections against
polarity inversion.

Electrical data

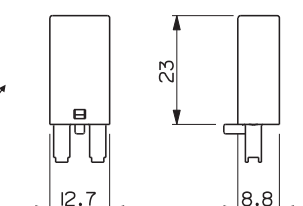
Polarity	A1+ / A2-
Input voltage	110/230 VAC\VDC



circuit diagram



dimension



Modules with signaling circuits and varistor

Model type 62C TYPE62C - Pack. 10/200 pcs

Plug-in module, for mounting on ES15/4/2B - ES15/4/2G - ES15/4/3/2N - ES15/4/3/2S ES50 - ES35 - ES32 - ES25 - ES50/3 - ES50/3S - ES35/3S - ES-50/3G with varistor and red LED.

Electrical data	
Polarity	A1+ / A2-
Input voltage	6/24 VAC\DC



Model type 62CV TYPE62CV - Pack. 10/200 pcs

Plug-in module, for mounting on ES15/4/2B - ES15/4/2G - ES15/4/3/2N - ES15/4/3/2S ES50 - ES35 - ES32 - ES25 - ES50/3 - ES50/3S - ES35/3S - ES-50/3G with varistor and green LED.

Electrical data	
Polarity	A1+ / A2-
Input voltage	6/24 VAC\DC



Model type 62DV TYPE62DV - Pack. 10/200 pcs

Plug-in module, for mounting on ES15/4/2B - ES15/4/2G - ES15/4/3/2N - ES15/4/3/2S ES50 - ES35 - ES32 - ES25 - ES50/3 - ES50/3S - ES35/3S - ES-50/3G with varistor and green LED.

Electrical data	
Polarity	A1+ / A2-
Input voltage	24/60 VAC\DC



Model type 92C TYPE92C - Pack. 10/200 pcs

Plug-in module, for mounting on ES15/4/2B - ES15/4/2G - ES15/4/3/2N - ES15/4/3/2S ES50 - ES35 - ES32 - ES25 - ES50/3 - ES50/3S - ES35/3S - ES-50/3G with varistor and red LED.

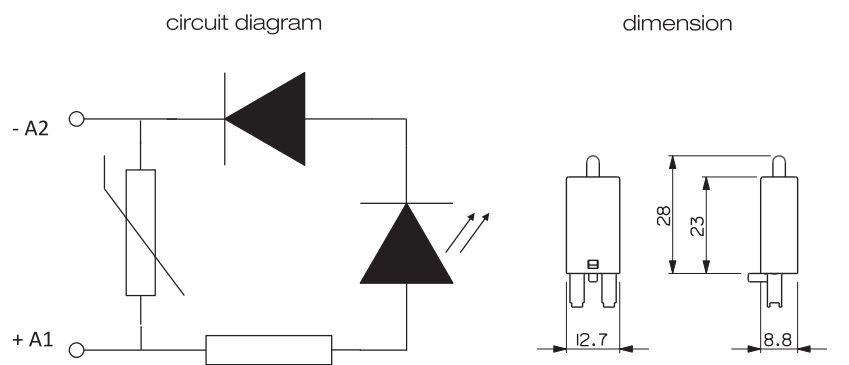
Electrical data	
Polarity	A1+ / A2-
Input voltage	110/230 VAC\DC



Model type 92CV TYPE92CV - Pack. 10/200 pcs

Plug-in module, for mounting on ES15/4/2B - ES15/4/2G - ES15/4/3/2N - ES15/4/3/2S ES50 - ES35 - ES32 - ES25 - ES50/3 - ES50/3S - ES35/3S - ES-50/3G with varistor and green LED.

Electrical data	
Polarity	A1+ / A2-
Input voltage	110/230 VAC\DC



Modules with varistor

Model type 72 TYPE72 - Pack. 10/200 pcs

Plug-in module, for mounting on ES15/4/2B - ES15/4/2G - ES15/4/3/2N - ES15/4/3/2S ES50 - ES35 - ES32 - ES25 - ES50/3 - ES50/3S - ES35/3S - ES-50/3G with varistor.

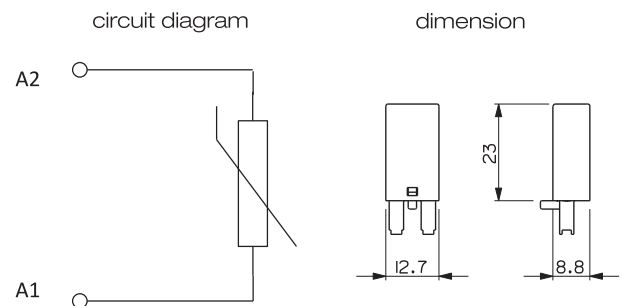
Electrical data	
Polarity	A1+ / A2-
Input voltage	24 VAC



Model type 82V TYPE82V - Pack. 10/200 pcs

Plug-in module, for mounting on ES15/4/2B - ES15/4/2G - ES15/4/3/2N - ES15/4/3/2S ES50 - ES35 - ES32 - ES25 - ES50/3 - ES50/3S - ES35/3S - ES-50/3G with varistor.

Electrical data	
Polarity	A1+ / A2-
Input voltage	230 VAC





Slim sockets for miniature relays

Socket model **ES 62/AS**

ES62ASCNER - Pack. 10/270 pcs

Relay socket model ES 62/AS for miniature relay with protection and indication circuit, screw connections.

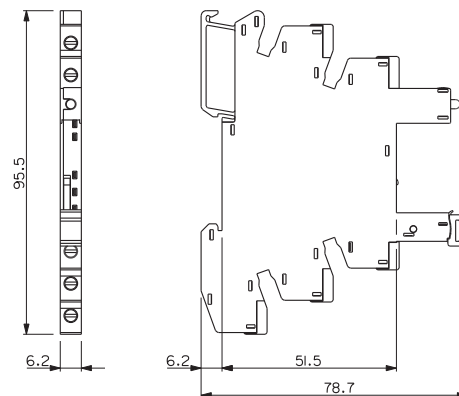
Input voltage	12 VAC/VDC - 24 VAC/VDC
Coil voltage	12 VDC - 24 VDC
Rated current	6 A
Dielectric strength adjacent contact circuits	2500V
Dielectric strength coil contact circuits	2500V

Connection data

Conductor cross section solid and stranded	max. 2,5 mm ² (AWG 14)
Stripping length	9 mm
Screw thread	M 2,5

General data

Width	6,2 mm
Height	101 mm
Color	Black
Ambient temperature (operation)	-25 °C ... 85 °C



Accessories



Model PL 64
PL64 - Pack. 2/96 pcs
Print label for ES 62 series



Model BB 20
BB20 - Pack. 10/300 pcs
Bus bar 20 poles for ES 62 series



Model BTF 2
BTF2 - Pack. 10/1000 pcs
Butterfly isolator for ES 62 series

Standard article

Socket model ES 62/BS

ES62BSCNER - Pack. 10/270 pcs

Relay socket model ES 62/BS for miniature relay with protection and indication circuit, screw connections.

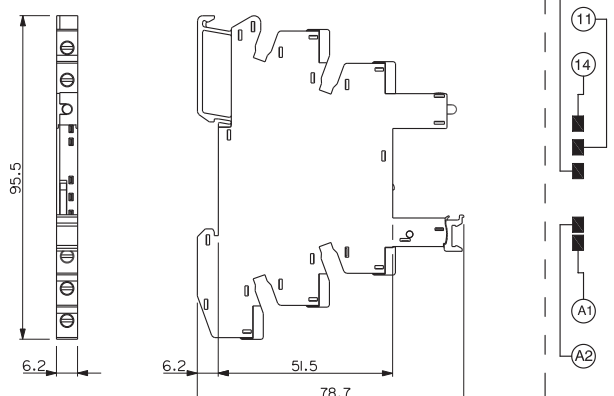
Input voltage	48 VAC/VDC - 60 VAC/VDC
Coil voltage	48 VDC - 60 VDC
Rated current	6 A
Dielectric strength adjacent contact circuits	2500V
Dielectric strength coil contact circuits	2500V

Connection data

Conductor cross section solid and stranded	max. 2,5 mm ² (AWG 14)
Stripping length	9 mm
Screw thread	M 2,5

General data

Width	6,2 mm
Height	101 mm
Color	Black
Ambient temperature (operation)	-25 °C ... 85 °C



Accessories



Model PL 64

PL64 - Pack. 2/96 pcs

Print label for ES 62 series



Model BB 20

BB20 - Pack. 10/300 pcs

Bus bar 20 poles for ES 62 series



Model BTF 2

BTF2 - Pack. 10/1000 pcs

Butterfly isolator for ES 62 series

Socket model **ES 62/CS**

ES62CSCNER - Pack. 10/270 pcs

Relay socket model ES 62/CS for miniature relay with protection and indication circuit, screw connections.

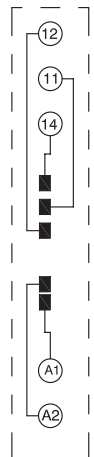
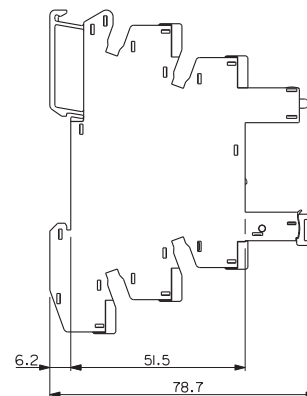
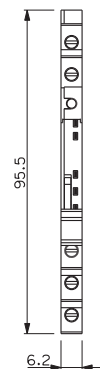
Input voltage	110 VAC/VDC
Coil voltage	60 VDC
Rated current	6 A
Dielectric strength adjacent contact circuits	2500V
Dielectric strength coil contact circuits	2500V

Connection data

Conductor cross section solid and stranded	max. 2,5 mm ² (AWG 14)
Stripping length	9 mm
Screw thread	M 2,5

General data

Width	6,2 mm
Height	101 mm
Color	Black
Ambient temperature (operation)	-25 °C ... 85 °C



Accessories



Model PL 64
PL64 - Pack. 2/96 pcs
Print label for ES 62 series



Model BB 20
BB20 - Pack. 10/300 pcs
Bus bar 20 poles for ES 62 series



Model BTF 2
BTF2 - Pack. 10/1000 pcs
Butterfly isolator for ES 62 series

Socket model ES 62/DS

ES62DSCNER - Pack. 10/270 pcs

Relay socket model ES 62/DS for miniature relay with protection and indication circuit, screw connections.

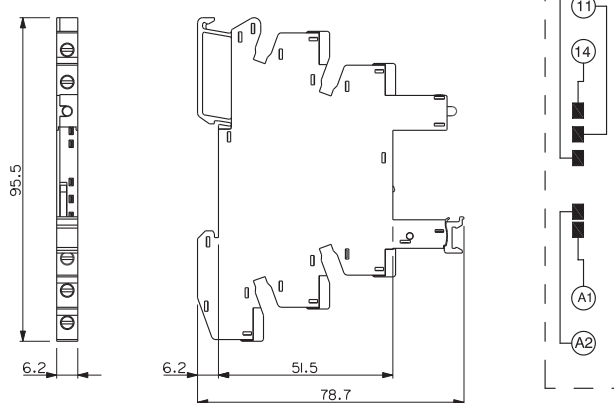
Input voltage	230 VAC/VDC
Coil voltage	60 VDC
Rated current	6 A
Dielectric strength adjacent contact circuits	2500V
Dielectric strength coil contact circuits	2500V

Connection data

Conductor cross section solid and stranded	max. 2,5 mm ² (AWG 14)
Stripping length	9 mm
Screw thread	M 2,5

General data

Width	6,2 mm
Height	101 mm
Color	Black
Ambient temperature (operation)	-25 °C ... 85 °C



Accessories



Model PL 64
PL64 - Pack. 2/96 pcs
Print label for ES 62 series



Model BB 20
BB20 - Pack. 10/300 pcs
Bus bar 20 poles for ES 62 series



Model BTF 2
BTF2 - Pack. 10/1000 pcs
Butterfly isolator for ES 62 series

Socket model **ES 62/AG**

ES62AGCNER - Pack. 10/270 pcs

Relay socket model ES 62/AG for miniature relay with protection and indication circuit, spring-cage connections.

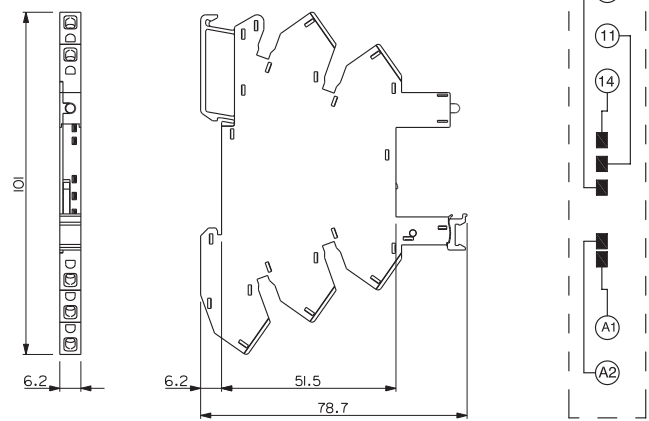
Input voltage	12 VAC/VDC - 24 VAC/VDC
Coil voltage	12 VDC - 24 VDC
Rated current	6 A
Dielectric strength adjacent contact circuits	2500V
Dielectric strength coil contact circuits	2500V

Connection data

Conductor cross section solid and stranded	max. 1,5 mm ² (AWG 16)
Stripping length	10 mm
Screw thread	M 2,5

General data

Width	6,2 mm
Height	101 mm
Color	Black
Ambient temperature (operation)	-25 °C ... 85 °C



Accessories



Model PL 64
PL64 - Pack. 2/96 pcs
Print label for ES 62 series



Model BB 20
BB20 - Pack. 10/300 pcs
Bus bar 20 poles for ES 62 series



Model BTF 2
BTF2 - Pack. 10/1000 pcs
Butterfly isolator for ES 62 series

Socket model ES 62/BG

ES62BGCNER - Pack. 10/270 pcs

Relay socket model ES 62/BG for miniature relay with protection and indication circuit, spring-cage connections.

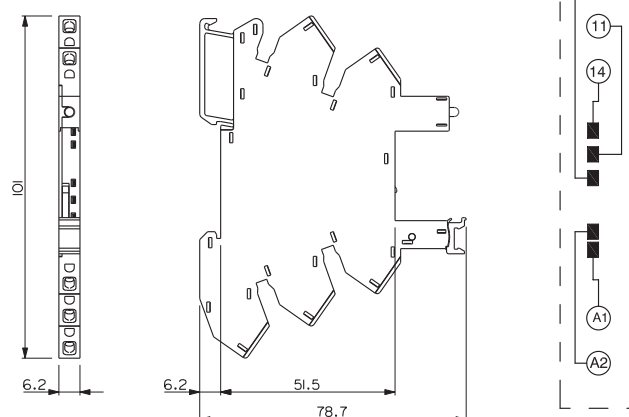
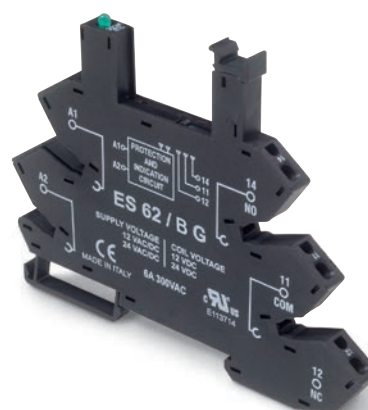
Input voltage	48 VAC/VDC - 60 VAC/VDC
Coil voltage	48VDC - 60VDC
Rated current	6 A
Dielectric strength adjacent contact circuits	2500V
Dielectric strength coil contact circuits	2500V

Connection data

Conductor cross section solid and stranded	max. 1,5 mm ² (AWG 16)
Stripping length	10 mm

General data

Width	6,2 mm
Height	101 mm
Color	Black
Ambient temperature (operation)	-25 °C ... 85 °C



Accessories



Model PL 64
PL64 - Pack. 2/96 pcs
Print label for ES 62 series



Model BB 20
BB20 - Pack. 10/300 pcs
Bus bar 20 poles for ES 62 series



Model BTF 2
BTF2 - Pack. 10/1000 pcs
Butterfly isolator for ES 62 series

Socket model **ES 62/CG**

ES62CGCNER - Pack. 10/270 pcs

Relay socket model ES 62/CG for miniature relay with protection and indication circuit, spring-cage connections

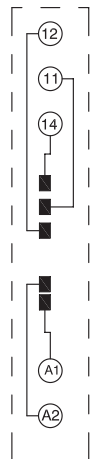
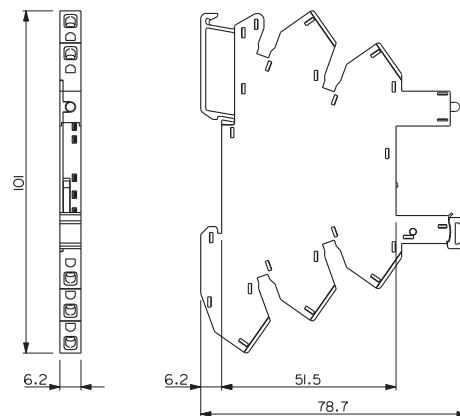
Input voltage	110 VAC/VDC
Coil voltage	60 VDC
Rated current	6 A
Dielectric strength adjacent contact circuits	2500V
Dielectric strength coil contact circuits	2500V

Connection data

Conductor cross section solid and stranded	max. 1,5 mm ² (AWG 16)
Stripping length	10 mm

General data

Width	6,2 mm
Height	101 mm
Color	Black
Ambient temperature (operation)	-25 °C ... 85 °C



Accessories



Model PL 64
PL64 - Pack. 2/96 pcs
Print label for ES 62 series



Model BB 20
BB20 - Pack. 10/300 pcs
Bus bar 20 poles for ES 62 series



Model BTF 2
BTF2 - Pack. 10/1000 pcs
Butterfly isolator for ES 62 series

Socket model ES 62/DG

ES62DGCNER - Pack. 10/270 pcs

Relay socket model ES 62/DG for miniature relay with protection and indication circuit, spring-cage connections.

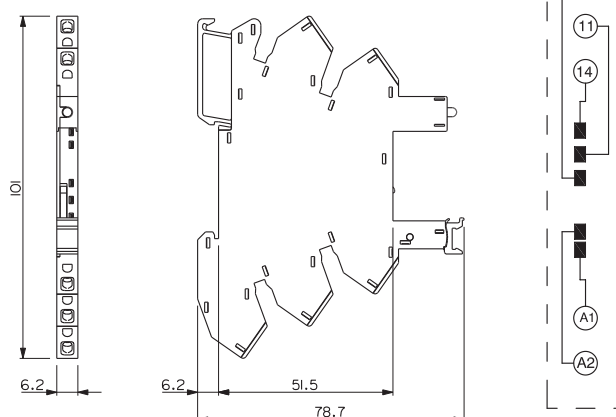
Input voltage	230 VAC/VDC
Coil voltage	60 VDC
Rated current	6 A
Dielectric strength adjacent contact circuits	2500V
Dielectric strength coil contact circuits	2500V

Connection data

Conductor cross section solid and stranded	max. 1,5 mm ² (AWG 16)
Stripping length	10 mm

General data

Width	6,2 mm
Height	101 mm
Color	Black
Ambient temperature (operation)	-25 °C ... 85 °C



Accessories



Model PL 64
PL64 - Pack. 2/96 pcs
Print label for ES 62 series



Model BB 20
BB20 - Pack. 10/300 pcs
Bus bar 20 poles for ES 62 series



Model BTF 2
BTF2 - Pack. 10/1000 pcs
Butterfly isolator for ES 62 series

 Standard article