

Relay sockets

A complete range

Bremas relay sockets range includes DIN rail sockets, plug-in input/interference suppression modules, securing springs, and the matching marking labels.

The modules are largely compatible with the usual standards on the market and have the major international approvals.

Easy, fast and flexible wiring is guaranteed by different options for cable management and connections: besides the screw connection method, relay sockets with the

spring-cage connection are also available for PCB relays with one or two PDT contacts and for industrial relays with two or four PDT contacts.

Double spring-cage connections guarantee easy operations for bridging of different contacts. Sockets with coil terminals and contact terminals on different sides to keep supply and signal wires separated are also available.





■ Socket for octal and undecal relays

Series ES8+12

Sockets for octal relays with 2 PDT contacts and for undecal relays with 3 PDT contacts. This family is characterized by large cross section terminals arranged on one level for good accessibility.

■ Socket for industrial relays

Series ES15

Sockets for plug-in industrial relays with 2, 3 or 4 PDT contacts. These sockets are also available with the spring-cage connection method for 2 or 4 PDT versions. Besides traditional 2/2-level sockets there is also a choice of modern "logical" 1/3-level versions with fully opposite coil and contact connections.

■ Socket for PCB relays

Series ES25+50 and EC25+50

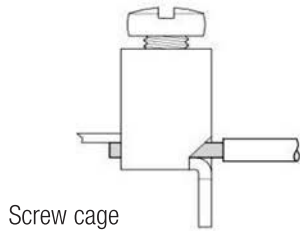
Narrow 16 mm sockets for PCB relays with one or two contacts. The spring-cage connection technology is available for socket relays with 5 mm pinning for DIN rails. Two options for terminals arrangement: 2/2-level and modern "logical" 1/3-level versions.

■ Slim socket for miniature relays

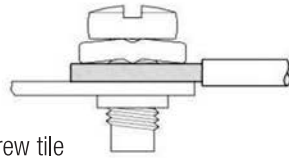
Series ES62

Ultra slim 6,2 mm sockets for miniature relays, available versions with input voltage from 12 to 230 V AC/DC. All these sockets are available with screw and spring-cage connection methods.

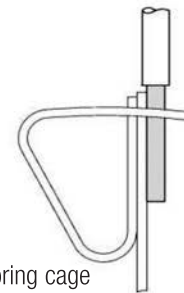
Wire locking systems



Screw cage

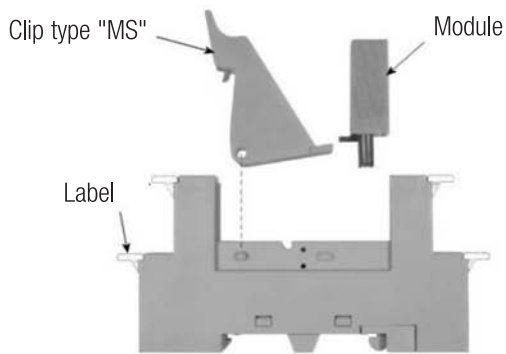


Screw tile

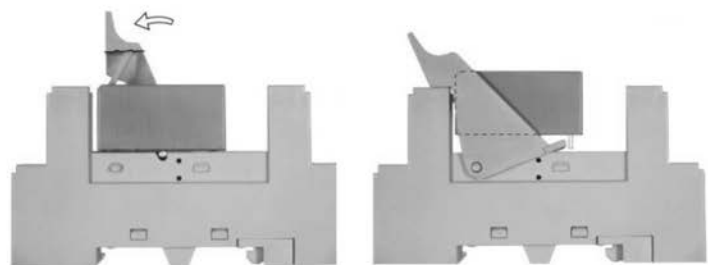


Spring cage
(screwless)

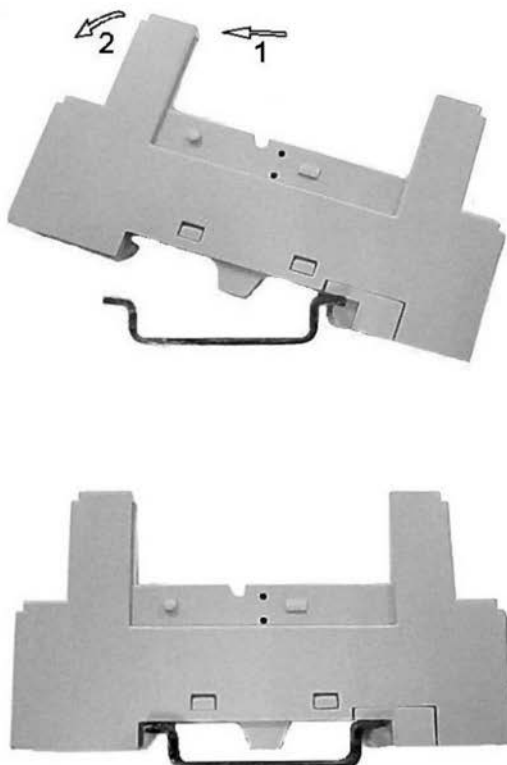
Accessories assembling layout



Relay fixed with "MS" spring disassembling layout



Relay socket assembling layout



Relay socket disassembling layout

